

GS1 Germany EDI Recommendation

**for the textile sectors
CFB-Connecting Fashion Business
V2.1
Despatch Advice
(DESADV)**

**based on
EANCOM[®] 2002 S3**

1. Introduction.....	2
2. List of business terms	12
3. Message structure chart.....	14
4. Branching diagram	16
5. Segment Descriptions	19
6. Segments layout.....	23
7. Example(s)	70

1. Introduction

Preamble

The aim of the brochure on hand is to offer documentation describing the exchange of delivery data between business partners.

The basis of this elaboration is the international standard EANCOM® 2002. The message type DESADV 007 is used to transmit relevant data. GEFEG.FX (Gefeg mbH, Berlin) was used as the documentation tool.

Please be aware to know that this booklet does not replace the complete specifications in the original chapters or other relevant instructions within the EANCOM® 2002 documentation. Instead, it deals with the description of segments, data elements and codes to be used for a specific task.

The current documentation has been produced by the GS1 Germany GmbH in Cologne. GS1 Germany assumes no liability for any damages incurring from the use of this documentation. This brochure or extracts thereof may only be published or forwarded to third parties with the express written consent of GS1 Germany, which holds copyright on this work.

GS1 Germany thanks all experts who contributed significantly to these guidelines with knowledge from their daily business.

Important note:

To fulfill the requirements of directive 2015/58/EG, article 4, C058 has been opened in NAD segments identifying a message sender. If the place in the 5 DE 3124 is not sufficient, the following RFF segments can be used, qualified with DE 1153 = GN. DE 1154 has got a capacity of 70 digits. Only in those cases, when no RFF segment follows NAD, a RFF+GN can be used in the heading section of the message. Within the EDI recommendations of GS1 Germany this is only applicable for the messages REMADV and SLSFCT.

1. Introduction

Conventions

This brochure offers different ways to start:

Section 2, "Business Terms", is a table which links directly to the sequence numbers of the segments.

Section 3, "Message Structure Chart", is a list of all used segments in the same sequence as they are defined in the EANCOM® message. In general, for each piece of information one single segment is provided. Exceptions may arise when the occurrence of a segment is limited and can contain alternative information (e.g., segment BGM).

Section 4, "Branching Diagram", is a hierarchical graphic depiction of all used segments in the same sequence as they are defined in the EANCOM® message. However, every segment is shown only once, and it is therefore possible that the sequence numbering is interrupted.

Section 5, "Segments Description", is a brief summary of the use of each segment.

In **Section 6, "Segments Layout"**, an illustration that has been chosen to match the business terms (data from the in-house application) with the elements from the EANCOM® syntax.

Note on section 6:

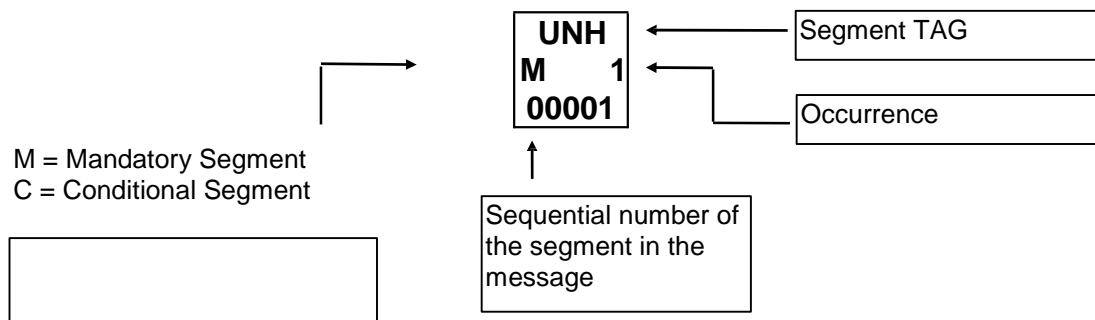
An additional column (GER) to provide a German status has been added to the layouts. An entry indicates that the recommended status differs from the EANCOM® status. If the recommended status is weaker than the EANCOM® status, the data element (or, if only one term exists the entire segment) can be omitted.

In general, code names are presented in red; these must to be understood as restricted and should not be changed/modified without bilateral agreement with the partner. If codes are given as examples, they are represented in blue (e.g., measurements). In this case, all codes of the relevant code list can be used.

Section 7, "Example(s)", provides at least one message example with comments. Please note that, for technical reasons, the examples can contain component data element separators, which would otherwise be represented as data element separators in the original messages.

1. Introduction

The following conventions apply to this brochure:



Business Term			EANCOM-Mapping																							
Name	Format	Status	DEG	DE	Description																					
a	alphabetic character																									
n	numeric character																									
an	alphanumeric character																									
a3	3 alphabetic characters, fixed length																									
n3	3 numeric characters, fixed length																									
an3	3 alphanumeric characters, fixed length																									
a..3	up to 3 alphabetic characters																									
n..3	up to 3 numeric characters																									
an..3	up to 3 alphanumeric characters																									
					Data element																					
					<table border="1"> <tr> <td>C</td> <td>=</td> <td>Conditional</td> </tr> <tr> <td>M</td> <td>=</td> <td>Mandatory</td> </tr> <tr> <td>R</td> <td>=</td> <td>Required</td> </tr> <tr> <td>D</td> <td>=</td> <td>Depending</td> </tr> <tr> <td>O</td> <td>=</td> <td>Optional</td> </tr> <tr> <td>A</td> <td>=</td> <td>Recommended</td> </tr> <tr> <td>N</td> <td>=</td> <td>Not used</td> </tr> </table>	C	=	Conditional	M	=	Mandatory	R	=	Required	D	=	Depending	O	=	Optional	A	=	Recommended	N	=	Not used
C	=	Conditional																								
M	=	Mandatory																								
R	=	Required																								
D	=	Depending																								
O	=	Optional																								
A	=	Recommended																								
N	=	Not used																								

1. Introduction

Message structure

Heading section

Specification of buyer and supplier message date and message number.

Detail section

Specification of GTIN to identify goods and services and their quantity.

Summary section

The summary section is for syntactical reasons only.

Notes to the detail section:

Within the detail section it is possible to transmit SSCC to identify the consignment and/or consignment lines.

Additionally it is possible to describe the hierarchy of the consignment. Therefore the detail section is presented in three paragraphs:

1. Detail section - Presentation of the entire consignment

This detail section is mandatory in the message, (e.g., description of a pallet).

2. Detail section - Presentation of despatch unit(s)

This detail section can be used in the message, (e.g., description of cartons placed on the pallet).

3. Detail section - Presentation of despatch unit(s)/article(s)

This detail section can be used in the message, (e.g., description of consumer units within the cartons).

Application scenarios of the DESADV message

Below different possibilities are illustrated on the use of the despatch advice message (DESADV). Please note especially the allocation of delivery - despatch advice and the allocation of delivery - transport means/units.

The despatch advice (DESADV) can have references to one or more purchase orders (ORDERS). If a consignment is split into multiple transport means/units more than one DESADV can have references to one ORDERS.

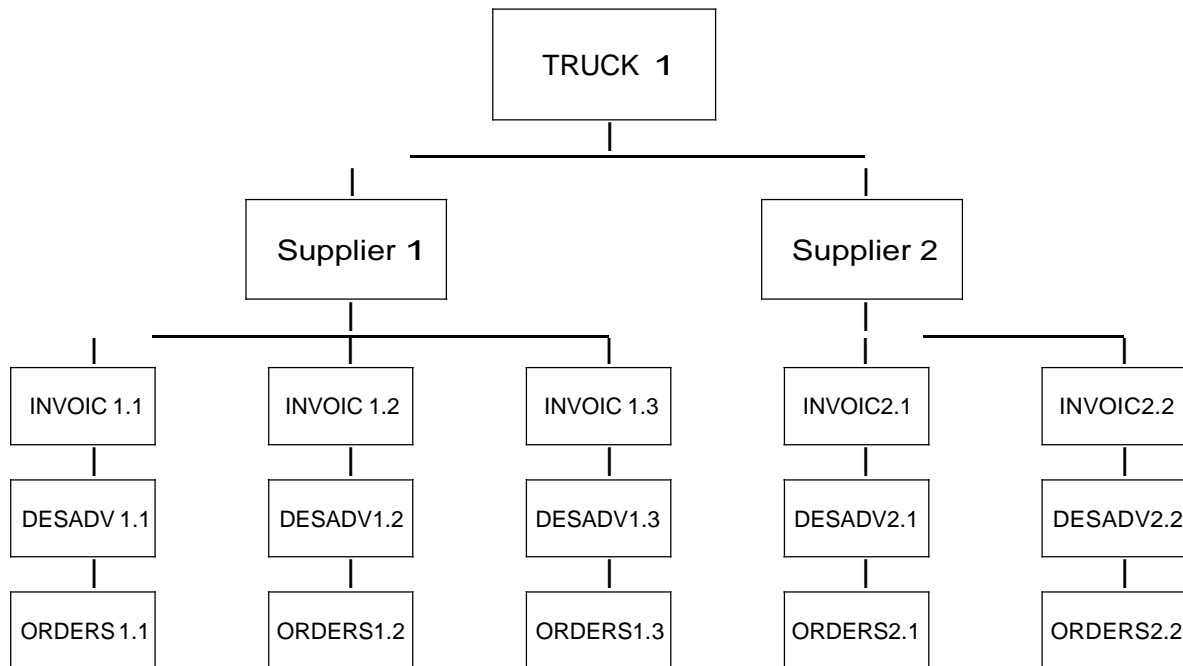
Basic principle

In general at least one DESADV should be sent per transport means/units, e.g., truck, container or swap trailer even if a consignment is allocated to multiple transport means/units.

1. Introduction

Scenario 1: One despatch advice (DESADV) per order

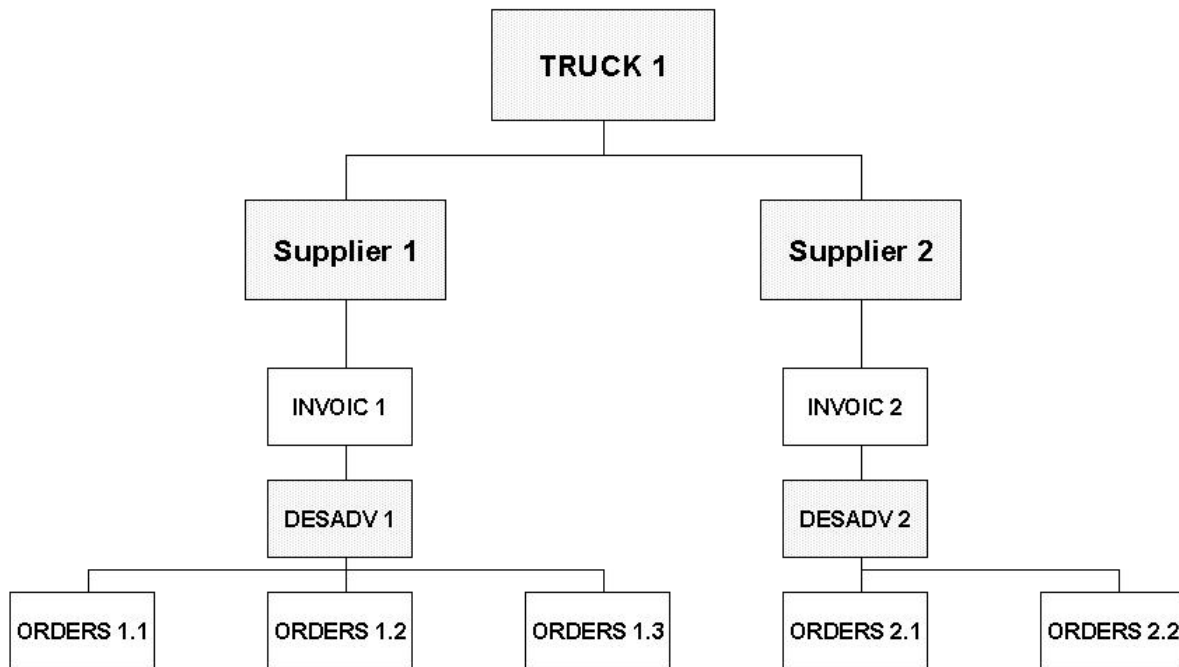
One truck transports consignments of different suppliers. Each consignment of a supplier relates to one purchase order (ORDERS) and is advised by one DESADV and will be followed by one commercial invoice (INVOIC).



1. Introduction

Scenario 2: One despatch advice (DESADV) per supplier

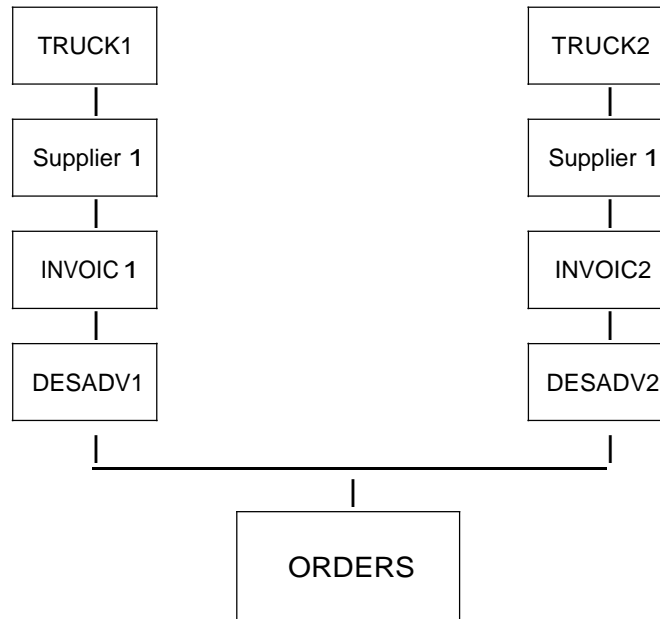
One truck transports consignments of different suppliers. Only one DESADV is sent per supplier. Each of them has references to different purchase orders (ORDERS). Every DESADV will be followed by one commercial invoice (INVOIC) containing a reference to this DESADV.



1. Introduction

Scenario 3: One despatch advice (DESADV) per truck

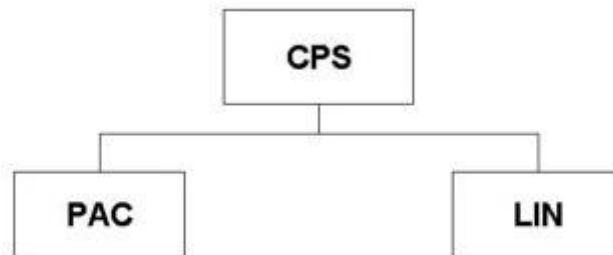
Initiated by one purchase order (ORDERS) different trucks transport one consignment of one supplier. For each truck a DESADV is sent, all referencing to one ORDERS. In the following procedure one commercial invoice (INVOIC) is generated per DESADV.



1. Introduction

Sequence of the segment groups SG11 (PAC) and SG17 (LIN)

As the PAC and LIN group are on the same hierarchy level of the detail section different ways of interpretation are possible about the sequence of information relating the packages (PAC) and goods (LIN) in the DESADV.



If the detail section provides information about packages and the contained goods the related LIN group should follow immediately the PAC group. The PAC group should NOT be used to describe all packages first and then be followed by the LIN group describing all goods.

Example:

...	
CPS+2+1'	Second consignment level, 1. pallet
PAC+1++201'	One ISO-1-pallet
MEA+PD+AAB+KGM:263.2'	Pallet gross weight 263,2 kg
PCI+33E'	Pallet marked with SSCC
GIN+BJ+354107280000001051'	SSCC 354107280000001051
PAC +20++CT'	Pallet contains 20 cartons
LIN +1++5410738000152:SRV'	The product is identified by GTIN 5410738000152
QTY+12:20'	Delivered quantity 20
...	

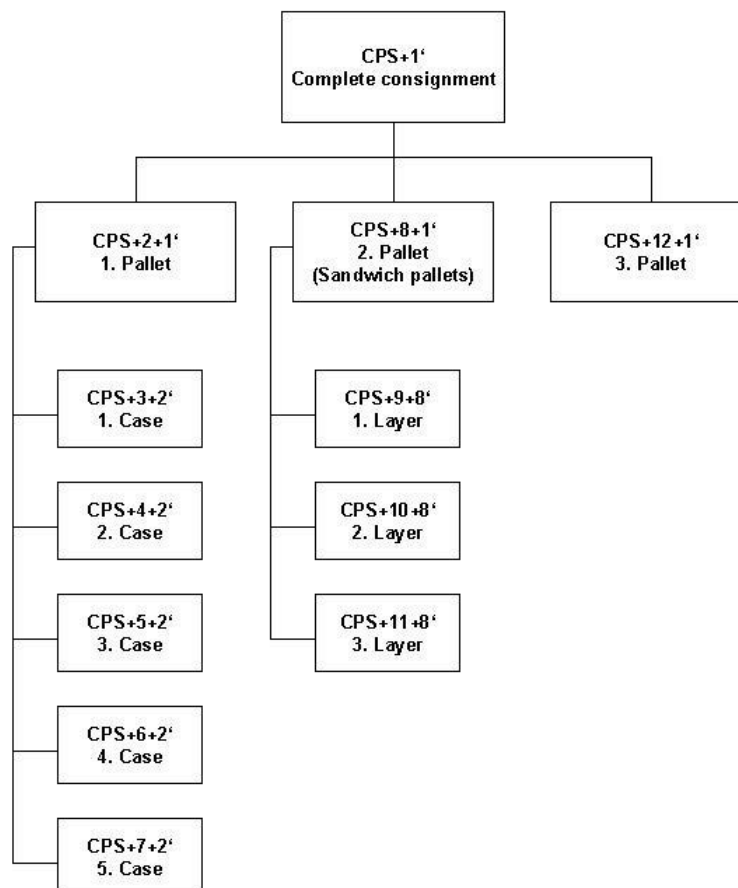
1. Introduction

Indication of SSCC

In general the SSCC of the package is to be indicated within the PAC group. The PCI group below LIN primary provides information about the article. An example of the use is 17 = supplier's instructions followed by GIN containing a serial number, batch number, etc.

Description of the consignment hierarchy (CPS)

The following example describes a consignment containing of three pallets. The first pallet contains 5 cartons marked with SSCC. The second pallet describes a "sandwich pallet" separating single layers with a pallet. Each pallet of each layer is marked with SSCC. The creation of a hierarchy shows one pallet with multiple layers (pallets). The third pallet contains only one type of article.



The CPS segment should describe all despatch units within the hierarchy that are marked with package identification (SSCC).

1. Introduction

Example 1:

One pallet contains 10 cartons marked with SSCC

CPS+1'	Highest package hierarchy
PAC	Pallet contains 10 cartons
PCI	Pallet is marked with SSCC
GIN	SSCC of the pallet
CPS+2+1'	1. Unit
PAC	One carton
PCI	Marked with SSCC
GIN	SSCC of the carton
LIN	Article contained in the carton
QTY	Quantity
CPS+3+1'	2. Unit
PAC	One carton
PCI	Marked with SSCC
GIN	SSCC of the carton
LIN	Article contained in the carton
QTY	Quantity
etc.	

For more examples see paragraph 8 of the current document.

2. Business Terms

Term	EANCOM-Segment			Data element	
	No.	Segment	SG	DEG	DE
Batch number	38	PIA	SG10#3\SG17#1	C212	7140
Buyers additional identification	10	RFF	SG2#1\SG3#1	C506	1154
Buyers article number	37	PIA	SG10#3\SG17#1	C212	7140
Buyers order number	6	RFF	SG1#1	C506	1154
Buyers order number (Detail section articles)	43	RFF	SG10#3\SG17#1\SG18#3	C506	1154
Contact person	11	CTA	SG2#1\SG4#1	C056	3412
Contact person or department receiver of goods/services	16	CTA	SG2#4\SG4#1	C056	3413
Control value	46	CNT		C270	6066
Country of receiver, coded	14	NAD	SG2#4		3207
Creation date	3	DTM		C507	2380
Delivered quantity	40	QTY	SG10#3\SG17#1	C186	6060
Delivery date	5	DTM		C507	2380
Delivery note	8	RFF	SG1#6	C506	1154
Delivery party additional identification	15	RFF	SG2#4\SG3#1	C506	1154
Delivery party identification	14	NAD	SG2#4	C082	3039
Despatch date	4	DTM		C507	2380
Document Number	2	BGM		C106	1004
Free goods quantity	41	QTY	SG10#3\SG17#1	C186	6060
Freight forwarders additional identification	22	RFF	SG2#7\SG3#1	C506	1154
Gross weight of the consignment	27	MEA	SG10#1\SG11#1	C502	6313
Gross weight of the consignment	34	MEA	SG10#3\SG11#1	C502	6313
GTIN Article identification	35	LIN	SG10#3\SG17#1	C212	7140
Hierarchy level	28	CPS	SG10#2		7166
Hierarchy level (despatch units / articles)	32	CPS	SG10#3		7166
Identification of buyer/invoicee	9	NAD	SG2#1	C082	3039
Identification of ship from place	24	NAD	SG2#10	C082	3039
Invoicees additional identification	12	RFF	SG2#2\SG3#1	C506	1154
Line item number	35	LIN	SG10#3\SG17#1		1082
Logistic service provider additional identification	23	RFF	SG2#8\SG3#1	C506	1154
Marking with SSCC (despatch units)	30	PCI	SG10#2\SG11#1\SG13#1		4233
Message reference number	1	UNH			0062
Name 1 of the receiver	14	NAD	SG2#4	C080	3036
Name 1 of the ultimate consignee	17	NAD	SG2#5	C080	3036
Name 2 of the receiver	14	NAD	SG2#4	C080	3036
Name 2 of the ultimate consignee	17	NAD	SG2#5	C080	3036
Name 3 of the receiver	14	NAD	SG2#4	C080	3036
Name 3 of the ultimate consignee	17	NAD	SG2#5	C080	3036
Number of packages (Consignment)	26	PAC	SG10#1\SG11#1		7224
Number of packages (despatch units / articles)	33	PAC	SG10#3\SG11#1		7224
Number of packages (despatch units)	29	PAC	SG10#2\SG11#1		7224
Order line item number	43	RFF	SG10#3\SG17#1\SG18#3	C506	1156
Ordered quantity	42	QTY	SG10#3\SG17#1	C186	6060
Pick up place additional identification	13	RFF	SG2#3\SG3#1	C506	1154
Place of receiver - name of a city (town, village) for addressing purposes.	14	NAD	SG2#4		3164
Place of ultimate consignee - name of a city (town, village) for addressing purposes.	17	NAD	SG2#5		3164

2. Business Terms

Term	EANCOM-Segment			Data element	
	No.	Segment	SG	DEG	DE
Postcode of receiver	14	NAD	SG2#4		3251
Postcode of ultimate consignee	17	NAD	SG2#5		3251
Process variant, coded	2	BGM		C002	1000
Purchasing contact department	11	CTA	SG2#1\SG4#1	C056	3413
Quantity difference	45	QVR	SG10#3\SG17#1\SG25#1	C279	6064
Sellers reference number	44	RFF	SG10#3\SG17#1\SG18#7	C506	1154
Sequence of packages within the consignment	25	CPS	SG10#1		7164
Sequence of the packages (despatch units / articles)	32	CPS	SG10#3		7164
Sequence of the packages (despatch units)	28	CPS	SG10#2		7164
Serial number	39	PIA	SG10#3\SG17#1	C212	7140
Serial Shipping Container Code (SSCC)	31	GIN	SG10#2\SG11#1\SG13#1\SG15#1	C208	7402
Statements on business letters	20	RFF	SG2#6\SG3#1	C506	1154
Street and number of receiver	14	NAD	SG2#4	C059	3042
Street of ultimate consignee	17	NAD	SG2#5	C059	3042
Supplier identification	19	NAD	SG2#6	C082	3039
Suppliers additional identification	21	RFF	SG2#6\SG3#2	C506	1154
Suppliers article number (secondary indent.)	36	PIA	SG10#3\SG17#1	C212	7140
Suppliers order number	7	RFF	SG1#3	C506	1154
Total number of segments in the message	47	UNT			0074
Ultimate consignee additional identification	18	RFF	SG2#5\SG3#1	C506	1154
Ultimate consignee identification	17	NAD	SG2#5	C082	3039

3. Message Structure Chart

Heading section

UNH	1	M	1	- Beginning of message
BGM	2	M	1	- Document Number Textile
DTM	3	C	10	- Creation date
DTM	4	C	10	- Despatch date
DTM	5	C	10	- Delivery date
SG1		C	10	- RFF
┌ RFF	6	M	1	- Buyers order number
└ SG1		C	10	- RFF
┌ RFF	7	M	1	- Suppliers order number
└ SG1		C	10	- RFF
┌ RFF	8	M	1	- Delivery note
└ SG2		C	99	- NAD-SG3-SG4
┌ NAD	9	M	1	- Identification of buyer/invoicee
└ SG3		C	10	- RFF
┌ RFF	10	M	1	- Buyers additional identification
└ SG4		C	10	- CTA
┌ CTA	11	M	1	- Contact person
└ SG2		C	99	- NAD-SG3-SG4
┌ NAD	12	M	1	- Delivery party identification
└ SG3		C	10	- RFF
┌ RFF	13	M	1	- Delivery party additional identification
└ SG4		C	10	- CTA
┌ CTA	14	M	1	- Contact person or department receiver of goods/services
└ SG2		C	99	- NAD-SG3
┌ NAD	15	M	1	- Ultimate consignee identification
└ SG3		C	10	- RFF
┌ RFF	16	M	1	- Ultimate consignee additional identification
└ SG2		C	99	- NAD-SG3-SG3
┌ NAD	17	M	1	- Supplier identification
└ SG3		C	10	- RFF
┌ RFF	18	M	1	- Statements on business letters
└ SG3		C	10	- RFF
┌ RFF	19	M	1	- Suppliers additional identification
└ SG2		C	99	- NAD
┌ NAD	20	M	1	- Identification of the ship from place

Detail section consignment

┌ SG10		C	9999	- CPS-SG11
└ CPS	21	M	1	- Sequence of packages within the consignment
┌ SG11		C	1	- PAC-MEA
└ PAC	22	M	1	- Number of packages
┌ MEA	23	C	10	- Gross weight of the consignment

Detail section despatch units

┌ SG10		C	9999	- CPS-SG11
└ CPS	24	M	1	- Hierarchy level
┌ SG11		C	1	- PAC-SG13
└ PAC	25	M	1	- Number of packages
┌ SG13		C	1000	- PCI-SG15
└ PCI	26	M	1	- Marking with SSCC
┌ SG15		C	99	- GIN
└ GIN	27	M	1	- Serial Shipping Container Code (SSCC)

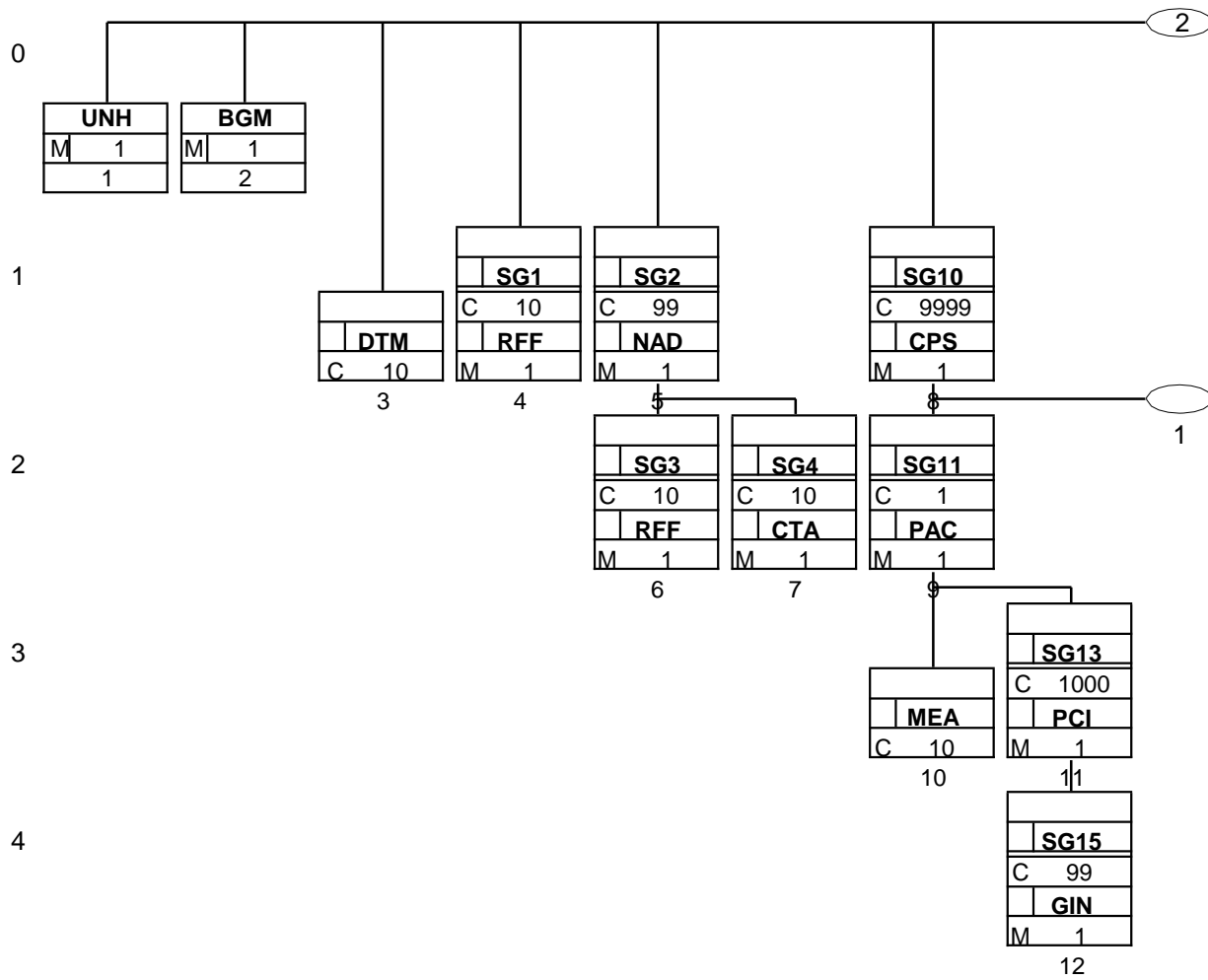
Detail section despatch units / articles

┌ SG10		C	9999	- CPS-SG11-SG17
└ CPS	28	M	1	- Hierarchy level
┌ SG11		C	1	- PAC-MEA
└ PAC	29	M	1	- Number of packages

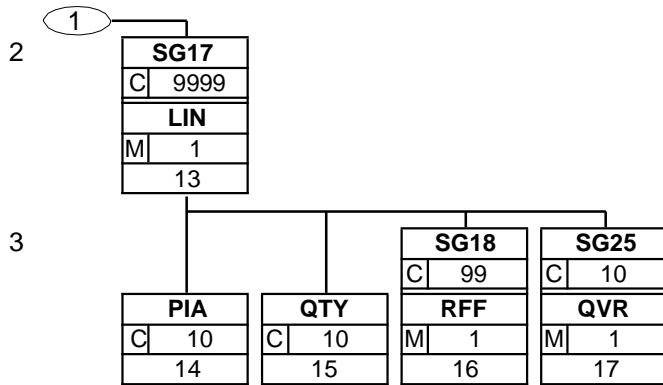
3. Message Structure Chart

┌	MEA	30	C	10	- Gross weight of the consignment
├	SG17		C	9999	- LIN-PIA-PIA-PIA-PIA-QTY-QTY-QTY-SG18-SG18-SG25
├	LIN	31	M	1	- GTIN Article identification
├	PIA	32	C	10	- Suppliers article number (secondary indent.)
├	PIA	33	C	10	- Buyers article number
├	PIA	34	C	10	- Batch number PIA
├		35	C	10	- Serial number
├	QTY	36	C	10	- Delivered quantity
├	QTY	37	C	10	- Free goods quantity
├	QTY	38	C	10	- Ordered quantity
├	SG18		C	99	- RFF
├	RFF	39	M	1	- Buyers order number
├	SG18		C	99	- RFF
├	RFF	40	M	1	- Sellers reference
├	SG25		C	10	- QVR
├	QVR	41	M	1	- Quantity difference
<u>Summary section</u>					
	CNT	42	C	5	- Control value
	UNT	43	M	1	- End of message

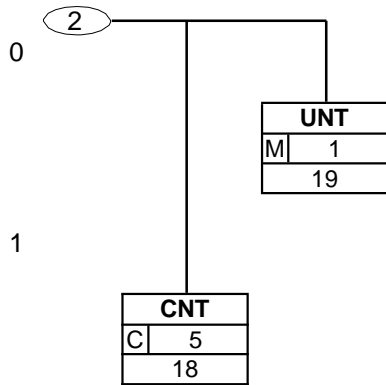
4. Branching Diagram



4. Branching Diagram



4. Branching Diagram



5. Segments Description

Heading section

UNH - M 1	- Beginning of message This segment is used to head, identify and specify a message.
BGM - M 1	- Document Number Textile This segment is used to indicate the type and function of a message and to transmit the identifying number.
DTM - C 10	- Creation date Identification of the 'Document/message date/time' (code value 137) is mandatory in the invoice message.
DTM - C 10	- Despatch date Date on which good have been/will be despatched.
DTM - C 10	- Delivery date Date on which goods have been/will be delivered.
SG1 - C 10	- RFF
RFF - M 1	- Buyers order number This segment can contain a reference to buyers order number. In case of CRP orders this number is not available.
SG1 - C 10	- RFF
RFF - M 1	- Suppliers order number This segment is used to provide the (internal) order number of the supplier.
SG1 - C 10	- RFF
RFF - M 1	- Delivery note This segment can be used to reference the delivery note number.
SG2 - C 99	- NAD-SG3-SG4
NAD - M 1	- Identification of buyer/invoicee The buyer/invoicee is identified by GLN.
SG3 - C 10	- RFF
RFF - M 1	- Buyers additional identification The RFF segment following the NAD segment can specify an agreed additional identification.
SG4 - C 10	- CTA
CTA - M 1	- Contact person This segment is used to identify the department and/or person within the party specified in the NAD.
SG2 - C 99	- NAD-SG3-SG4
NAD - M 1	- Delivery party identification This NAD segment always identifies the first delivery place. If the delivery party is not known (e.g. pick up by third party), the GLN of the buyer is indicated in DE 3039.
SG3 - C 10	- RFF
RFF - M 1	- Delivery party additional identification The RFF segment following the NAD segment can specify an agreed additional identification.
SG4 - C 10	- CTA

5. Segments Description

- CTA - M 1** - **Contact person or department receiver of goods/services**
For possible check back this segment can provide a person to turn to.
- SG2 - C 99** - **NAD-SG3**
- NAD - M 1** - **Ultimate consignee identification**
If the warehouse is the delivery party (DE 3035 = DP) and the consignment is addressed to a specific outlet, that outlet is identified as ultimate consignee.
- SG3 - C 10** - **RFF**
- RFF - M 1** - **Ultimate consignee additional identification**
The RFF segment following the NAD segment can specify an agreed additional identification.
- SG2 - C 99** - **NAD-SG3-SG3**
- NAD - M 1** - **Supplier identification**
The supplier is identified by GLN.
- SG3 - C 10** - **RFF**
- RFF - M 1** - **Statements on business letters**
This RFF segment may only be used if the preceding NAD has not enough space to fulfill the requirements of directive 2015/58/EG, article 4.
- SG3 - C 10** - **RFF**
- RFF - M 1** - **Suppliers additional identification**
The RFF segment following the NAD segment can specify an agreed additional identification.
- SG2 - C 99** - **NAD**
- NAD - M 1** - **Identification of the ship from place**
Identification of the ship from place by Global Location Number (GLN).

Detail section consignment

- SG10 - C 9999** - **CPS-SG11**
- CPS - M 1** - **Sequence of packages within the consignment**
The CPS segment starts the detail section of the message. The segments following the first occurrence of CPS (CPS+1) and previous to the following CPS (CPS+2+1) can provide physical dimensions for the entire consignment.
- SG11 - C 1** - **PAC-MEA**
- PAC - M 1** - **Number of packages**
This segment can be used to indicate the total number of packages per package type within the consignment.
- MEA - C 10** - **Gross weight of the consignment**
This segment is used to provide measurements or dimensions relevant to the packaging unit described in the PAC segment. After the first occurrence of the CPS segment the total gross weight of the consignment is provided.

Detail section despatch units

- SG10 - C 9999** - **CPS-SG11**
- CPS - M 1** - **Hierarchy level**
The detail section provides information about despatch units and associated SSCC.
- SG11 - C 1** - **PAC-SG13**

5. Segments Description

- PAC - M 1** - **Number of packages**
This segment can be used to indicate the total number of packages of the consignment within the hierarchy level defined in the CPS segment. The content of each package is described in the following LIN segments.
- SG13 - C 1000** - **PCI-SG15**
- PCI - M 1** - **Marking with SSCC**
The PCI segment details markings with SSCC.
- SG15 - C 99** - **GIN**
- GIN - M 1** - **Serial Shipping Container Code (SSCC)**
This segment provides the SSCC to uniquely identify individual packages.

Detail section despatch units / articles

- SG10 - C 9999** - **CPS-SG11-SG17**
- CPS - M 1** - **Hierarchy level**
The line level details package and SSCC information that have not master data character.
- SG11 - C 1** - **PAC-MEA**
- PAC - M 1** - **Number of packages**
This segment can be used to indicate the total number of packages of the consignment within the hierarchy level defined in the CPS segment. The content of each package is described in the following LIN segments.
- MEA - C 10** - **Gross weight of the consignment**
This segment is used to provide measurements or dimensions relevant to the packaging unit described in the PAC segment. After the first occurrence of the CPS segment the total gross weight of the consignment is provided.
- SG17 - C 9999** - **LIN-PIA-PIA-PIA-PIA-QTY-QTY-QTY-SG18-SG18-SG25**
- LIN - M 1** - **GTIN Article identification**
The LIN segment is used to identify the products contained in the consignment. The GTIN indicated here is the one from the ORDERS.
- PIA - C 10** - **Suppliers article number (secondary indent.)**
This segment is used to advise the suppliers article number additionally to GTIN.
- PIA - C 10** - **Buyers article number**
This segment is used to advise the buyers article number additionally to GTIN.
- PIA - C 10** - **Batch number**
This segment can be used to indicate the batch number.
- PIA - C 10** - **Serial number**
This segment can be used to indicate the serial number of a product.
- QTY - C 10** - **Delivered quantity**
This segment is used to indicate quantity information for the delivered product identified in LIN. The measurement unit indicated here is the same as in the preceding ORDERS. For products with variable quantities the number of pieces is indicated here if possible, the weight is indicated in the preceding MEA segment.
- QTY - C 10** - **Free goods quantity**
This segment can be used to provide free goods quantity.
- QTY - C 10** - **Ordered quantity**
This segment can be used additionally if quantity differs between what was ordered/delivered.

5. Segments Description

- SG18 - C 99** - **RFF**
RFF - M 1 - **Buyers order number**
This segments enables a reference to the buyers order number and line item number.
- SG18 - C 99** - **RFF**
RFF - M 1 - **Sellers reference**
This RFF segment is used to indicate a sellers reference number relevant for the despatch advice line.
- SG25 - C 10** - **QVR**
QVR - M 1 - **Quantity difference**
This segment must be used if variances exist between what was ordered and what is ready for or has been despatched.

Summary section

- CNT - C 5** - **Control value**
This segment is used to provide message control information for checking on the message receiver's in-house system.
- UNT - M 1** - **End of message**
This segment is a mandatory UN/EDIFACT segment. It must always be the last segment in the message.

6. Segments Layout

Segment number: 1

UNA - C 1 - Service string advice						
Description: To define the characters selected for use as delimiters and indicators in the rest of the interchange that follows.						
Business Term	DE	EDIFACT	EAN	*	GER	Description
Component data element separator	UNA1	M an1	M			Default value: ":"
Data element separator	UNA2	M an1	M			Default value: "+"
Decimal notation	UNA3	M an1	M			Default value: "."
Release character	UNA4	M an1	M			Default value: "?"
Reserved for future use	UNA5	M an1	M			(Default value: space)
Segment terminator	UNA6	M an1	M			Default value: "' '
Segment notes: Segment status: Depending The use of the UNA segment is mandatory, if character set "A" (UNB,DE0001) is not used. For international EDI the use of character set UNOA is recommended. For national (German) EDI the use of UNOC is reasonable because it contains lower case letters and umlauts. Example: UNA:+.? ' The UNA segment contains the default service string characters.						

6. Segments Layout

Segment number: 2

UNB - M 1 - Interchange header						
Description: To start, identify and specify an interchange.						
Business Term	DE	EDIFACT	EAN	*	GER	Description
	S001	M	M			
Character set	0001	Ma4	M			UNOA = UN/ECE level A UNOB = UN/ECE level B UNOC = UN/ECE level C UNOD = UN/ECE level D UNOE = UN/ECE level E UNOF = UN/ECE level F
Syntax version	0002	Mn1	M			3 = Version 3
	S002	M	M			
Identification of the sender of the transmission file	0004	Man..35	M			= Global Location Number (GLN)
	0007	Can..4	R			14 = GS1
Address for reverse routing	0008	Can..14	O			See note
	S003	M	M			
Identification of the receiver of the transmission file	0010	Man..35	M			= Global Location Number (GLN)
	0007	Can..4	R			14 = GS1
Routing address	0014	Can..14	O			See note
	S004	M	M			
File creation date	0017	Mn6	M			= Date format JJMMTT
File creation time	0019	Mn4	M			= Time format hhmm
Interchange control reference, beginning	0020	Man..14	M			= Unique senders reference
	S005	C	O			
Password interchange	0022	Man..14	M		O	
	0025	Can2	O			AA = Reference BB = Password
Application reference	0026	Can..14	O			Message type if the transmission file contains only one message type
	0029	Ca1	O			A = Highest priority
Acknowledgement request	0031	Cn1	O			
EANCOM	0032	Can..35	O		R	= EANCOM EDIFACT subset identification (see note)
Test indicator	0035	Cn1	O			1 = Interchange is a test

Segment notes:
Segment status: Mandatory

This segment is used to envelope the interchange, as well as to identify both, the party to whom the interchange is sent and the party who has sent the interchange.

For international EDI the use of character set UNOA is recommended. For national (German) EDI the use of UNOC is reasonable because it contains lower case letters and umlauts.

6. Segments Layout

Segment number: 2

Note DE 0008:

The address for reverse routing is provided by the interchange sender to inform the interchange recipient of the address within the sender's (source) system to which responding interchanges must be sent. It is recommended that the GLN be used for this purpose.

Note DE 0014:

The routing address is used to identify the receiver, if a provider adds service values for the actual receiver (e.g. consolidated companies, corporate group). The use of the identification system (e.g. GLN) has to be agreed bilaterally.

Note DE 0020:

This data element must contain a consistent sequential number per interchange between sender and receiver of the transmission.

Note DE 0032:

This data element is used to identify any underlying agreements which control the exchange of data. Within EANCOM, the identity of such agreements must start with the letters 'EANCOM', the remaining characters within the data element being filled according to bilateral agreements.

Example: UNB+UNOC:3+4012345000009:14:4012345000018+4000004000002:14:4000004000099+101013:1043+4711+REF:AA++++EANCOM+1'

The EANCOM file 4711 dated 13.10.2015, 10 h 43 is sent by the issuer identified with GLN 4012345000009 to the receiver identified with GLN 4000004000002.

6. Segments Layout

Heading section

Segment number: 3

UNH - M 1 - Message header						
Description: To head, identify and specify a message.						
Business Term	DE	EDIFACT	EAN	*	GER	Description
Message reference number	0062	M an..14	M			Sender's unique message reference. Sequence number of messages in the interchange. DE 0062 in UNT will have the same value. Generated by the sender.
	S009	M	M			
	0065	M an..6	M	*		DESADV = Despatch advice message
	0052	M an..3	M	*		D = Draft version/UN/EDIFACT Directory
	0054	M an..3	M	*		01B = Release 2001 - B
	0051	M an..2	M	*		UN = UN/CEFACT
	0057	C an..6	R	*		EAN007 = GS1 version control number (GS1 Code)
Segment notes:						
Segment status: Mandatory						
This segment is used to head, identify and specify a message.						
Example: UNH+ME000001+DESADV:D:01B:UN:EAN007' The reference number of the DESADV message is ME000001.						

6. Segments Layout

Heading section

Segment number: 4

BGM - M 1 - Beginning of message						
Description: To indicate the type and function of a message and to transmit the identifying number.						
Business Term	DE	EDIFACT	EAN	*	GER	Description
	C002	C	R			
	1001	C an..3	R	*		351 = Despatch advice 35E = Returns advice (GS1 Code) 35X = Despatch of the relocation of goods
	1131	C an..17	N			
	3055	C an..3	D	*		9 = GS1
Process variant, coded	1000	C an..35	O			This data element indicates the variant of the process model textile: "Business Model" on the website of GS1 Netherlands
	C106	C	R			
Document Number	1004	C an..35	R			Document number assigned by sender
	1225	C an..3	R	*		9 = Original
Segment notes:						
Segment status: Mandatory						
This segment is used to indicate the type and function of a message and to transmit the identifying number.						
Remark DE 1000: In some special cases (consignment textile) this data element can have the following content by bilaterally agreement: RELOC = Relocation of goods between outlets If the code RELOC is used in DE 1001 the code value 35X is to be indicated.						
Example: BGM+351+87441+9' The document number is 87441.						

6. Segments Layout

Heading section

Segment number: 5

DTM - C 10 - Date/time/period						
Description: To specify date, and/or time, or period.						
Business Term	DE	EDIFACT	EAN	*	GER	Description
	C507	M	M			
	2005	Man..3	M	*		137 = Document/message date/time
Creation date	2380	C an..35	R			
	2379	C an..3	R			102 = CCYYMMDD 203 = CCYYMMDDHHMM
Segment notes:						
Segment status: Mandatory						
Identification of the 'Document/message date/time' (code value 137) is mandatory in the despatch advice message.						
Example: DTM+137:20150503:102' The message was created on 03.05.2015						

6. Segments Layout

Heading section

Segment number: 6

DTM - C 10 - Date/time/period						
Description: To specify date, and/or time, or period.						
Business Term	DE	EDIFACT	EAN	*	GER	Description
	C507	M	M			
	2005	Man..3	M	*		11 = Despatch date and/or time
Despatch date	2380	C an..35	R			
	2379	C an..3	R			102 = CCYYMMDD 203 = CCYYMMDDHHMM
Segment notes:						
Segment status: Conditional						
Date on which good have been/will be despatched.						
Example: DTM+11:20151214:102' The despatch date is 14.12.2015.						

6. Segments Layout

Heading section

Segment number: 7

DTM - C 10 - Date/time/period						
Description: To specify date, and/or time, or period.						
Business Term	DE	EDIFACT	EAN	*	GER	Description
	C507	M	M			
	2005	Man..3	M	*		17 = Delivery date/time, estimated
Delivery date	2380	C an..35	R			
	2379	C an..3	R			102 = CCYYMMDD 203 = CCYYMMDDHHMM
Segment notes:						
Segment status: Mandatory						
Date on which goods have been/will be delivered. This delivery date relates to the first delivery place.						
Example: DTM+17:20151215:102' The estimated delivery date is 15.12.2015.						

6. Segments Layout

Heading section

Segment number: 8

SG1	- C	10 - RFF				
RFF	- M	1 - Reference				
Description: To specify a reference.						
Business Term	DE	EDIFACT	EAN	*	GER	Description
	C506	M	M			
	1153	Man..3	M			ON = Order number (buyer)
Buyers order number	1154	C an..70	C			
Segment notes: Segment status: Depending This segment can contain a reference to buyers order number. In case of CRP orders this number is not available. Example: RFF+ON:4711' The message references to buyers order number 4711.						

6. Segments Layout

Heading section

Segment number: 9

SG1	- C	10 - RFF				
RFF	- M	1 - Reference				
Description: To specify a reference.						
Business Term	DE	EDIFACT	EAN	*	GER	Description
	C506	M	M			
	1153	Man..3	M			VN = Order number (supplier)
Suppliers order number	1154	C an..70	R			
Segment notes: Segment status: Depending This segment is used to provide the (internal) order number of the supplier. In case of returns and movement between outlets this information is not available. Example: RFF+VN:4712' The message references to suppliers order number 4712.						

6. Segments Layout

Heading section

Segment number: 10

SG1	- C	10 - RFF				
RFF	- M	1 - Reference				
Description: To specify a reference.						
Business Term	DE	EDIFACT	EAN	*	GER	Description
	C506	M	M			
	1153	Man..3	M			DQ = Delivery note number
Delivery note	1154	C an..70	R			
Segment notes: Segment status: Conditional This segment can be used to reference the delivery note number. This indication is valid for all articles of the entire despatch advice and can be overwritten in the detail section. Example: RFF+DQ:4714' The message references to delivery note number 4714.						

6. Segments Layout

Heading section

Segment number: 11

SG2	- C	99 - NAD-SG3-SG4				
NAD	- M	1 - Name and address				
Description: To specify the name/address and their related function, either by C082 only and/or unstructured by C058 or structured by C080 thru 3207.						
Business Term	DE	EDIFACT	EAN	*	GER	Description
	3035	M an..3	M			BY = Buyer
	C082	C	A			
Identification of buyer/ invoicee	3039	M an..35	M			Global Location Number (GLN) - Format n13
	1131	C an..17	N			
	3055	C an..3	R	*		9 = GS1
Segment notes: Segment status: Mandatory The buyer is identified by GLN. Example: NAD+BY+4071615111110:::9' The buyer is identified by GLN 4071615111110.						

6. Segments Layout

Heading section

Segment number: 12

SG2	- C	99 - NAD-SG3-SG4				
SG3	- C	10 - RFF				
RFF	- M	1 - Reference				
Description: To specify a reference.						
Business Term	DE	EDIFACT	EAN	*	GER	Description
	C506	M	M			
	1153	M an..3	M	*		YC1 = Additional party identification (GS1 Code)
Buyers additional identification	1154	C an..70	R			
Segment notes:						
Segment status: Conditional						
The RFF segment following the NAD segment can specify an agreed additional identification.						
If no functional or organizational differences are necessary within one company only the GLN is used for communication purposes, if applicable the receiver links within the in-house system. Additional identifications should be agreed only in those cases when different functional entities need to be distinguished at one location.						
Example: RFF+YC1:0815' The additional identification is 0815.						

6. Segments Layout

Heading section

Segment number: 13

SG2	- C	99 - NAD-SG3-SG4				
SG4	- C	10 - CTA				
CTA	- M	1 - Contact information				
Description: To identify a person or a department to whom communication should be directed.						
Business Term	DE	EDIFACT	EAN	*	GER	Description
	3139	C an..3	R			PD = Purchasing contact
	C056	C	O			
Purchasing contact department	3413	C an..17	O			
Contact person	3412	C an..35	O			
Segment notes: Segment status: Conditional This segment is used to identify the department and/or person within the party specified in the NAD. Example: CTA+PD+AG-TI406:Herr Schmidt' Purchasing contact person is Mr. Schmidt						

6. Segments Layout

Heading section

Segment number: 14

SG2	- C	99 - NAD-SG3-SG4				
NAD	- M	1 - Name and address				
Description:						
To specify the name/address and their related function, either by C082 only and/or unstructured by C058 or structured by C080 thru 3207.						
Business Term	DE	EDIFACT	EAN	*	GER	Description
	3035	M an..3	M			DP = Delivery party
	C082	C	A			
Delivery party identification	3039	M an..35	M			Global Location Number (GLN) - Format n13
	1131	C an..17	N			
	3055	C an..3	R	*		9 = GS1
	C058	C	N		N	
	3124	M an..35	M			
	C080	C	D			
Name 1 of the receiver	3036	M an..35	M			
Name 2 of the receiver	3036	C an..35	O		D	
Name 3 of the receiver	3036	C an..35	O		D	
	C059	C	D			
Street and number of receiver	3042	M an..35	M			
Place of receiver	3164	C an..35	D			
	C819	C	N			
	3229	C an..9	O			
Postcode of receiver	3251	C an..17	D			
Country of receiver, coded	3207	C an..3	D			DE = GERMANY ISO 3166 two alpha code
Segment notes:						
Segment status: Mandatory						
This NAD segment always identifies the first delivery place.						
DE 3039: The delivery party is identified by GLN. Party name and address in clear text may only be used, if a GLN is not (yet) available.						
If the delivery party is not known (e.g. pick up by third party), the GLN of the buyer is indicated in DE 3039.						
Example: NAD+DP+4089876511118::9++Name 1:Name 2:Name 3+Industriestr.13+Köln++50825+DE' The recipient is identified by GLN 4089876511118.						

6. Segments Layout

Heading section

Segment number: 15

SG2	- C	99 - NAD-SG3-SG4				
SG3	- C	10 - RFF				
RFF	- M	1 - Reference				
Description: To specify a reference.						
Business Term	DE	EDIFACT	EAN	*	GER	Description
	C506	M	M			
	1153	M an..3	M	*		YC1 = Additional party identification (GS1 Code)
Delivery party additional identification	1154	C an..70	R			
<p>Segment notes:</p> <p>Segment status: Conditional</p> <p>The RFF segment following the NAD segment can specify an agreed additional identification.</p> <p>If no functional or organizational differences are necessary within one company only the GLN is used for communication purposes, if applicable the receiver links within the in-house system. Additional identifications should be agreed only in those cases when different functional entities need to be distinguished at one location.</p> <p>Example: RFF+YC1:0816' The additional identification is 0816.</p>						

6. Segments Layout

Heading section

Segment number: 16

SG2	- C	99 - NAD-SG3-SG4				
SG4	- C	10 - CTA-COM				
CTA	- M	1 - Contact information				
Description: To identify a person or a department to whom communication should be directed.						
Business Term	DE	EDIFACT	EAN	*	GER	Description
	3139	C an..3	M			PD = Purchasing contact
	C056	C	C			
Contact person or department receiver of goods/services	3413	C an..17	M			
Segment notes: Segment status: Conditional For possible check back this segment can provide a person to turn to. Example: CTA+PD+Claus Früh' Contact person is Claus Früh.						

6. Segments Layout

Heading section

Segment number: 17

SG2	- C	99 - NAD-SG3				
NAD	- M	1 - Name and address				
Description:						
To specify the name/address and their related function, either by C082 only and/or unstructured by C058 or structured by C080 thru 3207.						
Business Term	DE	EDIFACT	EAN	*	GER	Description
	3035	M an..3	M			UC = Ultimate consignee
	C082	C	A			
Ultimate consignee identification	3039	M an..35	M			Global Location Number (GLN) - Format n13
	1131	C an..17	N			
	3055	C an..3	R	*		9 = GS1
	C058	C	N		N	
	3124	M an..35	M			
	C080	C	D			
Name 1 of the ultimate consignee	3036	M an..35	M			
Name 2 of the ultimate consignee	3036	C an..35	O		D	
Name 3 of the ultimate consignee	3036	C an..35	O		D	
	C059	C	D			
Street of ultimate consignee	3042	M an..35	M			
Place of ultimate consignee	3164	C an..35	D			
	C819	C	N			
	3229	C an..9	O			
Postcode of ultimate consignee	3251	C an..17	D			
	3207	C an..3	D			DE = GERMANY ISO 3166 two alpha code

Segment notes:

Segment status: Conditional

This NAD segment identifies the secondary delivery place.

If the warehouse is the delivery party (DE 3035 = DP) and the consignment is addressed to a specific outlet, that outlet is identified as ultimate consignee.

DE 3039: The ultimate consignee is identified by GLN. Party name and address in clear text may only be used, if a GLN is not (yet) available.

Example: NAD+UC+4089876986411::9++Name 1:Name 2:Name 3+Maarweg 104+Köln++50825+DE'
The ultimate consignee is identified by GLN 4089876986411.

6. Segments Layout

Heading section

Segment number: 18

SG2	- C	99 - NAD-SG3				
SG3	- C	10 - RFF				
RFF	- M	1 - Reference				
Description: To specify a reference.						
Business Term	DE	EDIFACT	EAN	*	GER	Description
	C506	M	M			
	1153	M an..3	M	*		YC1 = Additional party identification (GS1 Code)
Ultimate consignee additional identification	1154	C an..70	R			
Segment notes:						
Segment status: Conditional						
The RFF segment following the NAD segment can specify an agreed additional identification.						
If no functional or organizational differences are necessary within one company only the GLN is used for communication purposes, if applicable the receiver links within the in-house system. Additional identifications should be agreed only in those cases when different functional entities need to be distinguished at one location.						
Example: RFF+YC1:0816' The additional identification is 0816.						

6. Segments Layout

Heading section

Segment number: 19

SG2	- C	99 - NAD-SG3				
NAD	- M	1 - Name and address				
Description:						
To specify the name/address and their related function, either by C082 only and/or unstructured by C058 or structured by C080 thru 3207.						
Business Term	DE	EDIFACT	EAN	*	GER	Description
	3035	M an..3	M			SU = Supplier
	C082	C	A			
Supplier identification	3039	M an..35	M			Global Location Number (GLN) - Format n13
	1131	C an..17	N			
	3055	C an..3	R	*		9 = GS1
	C058	C	O			This composite may only be used to fulfill the requirements of directive 2015/58/EG, article 4. If applicable the message sender gets the possibility to give the relevant statements at this place. If C058 is not sufficient, more declaration can be given in following RFF+GN segment.
	3124	M an..35	M			
	3124	C an..35	O			
	3124	C an..35	O			
	3124	C an..35	O			
	3124	C an..35	O			
Segment notes:						
Segment status: Mandatory						
The supplier is identified by GLN.						
Example: NAD+SU+4389876511113:::9' The supplier is identified by GLN 4389876511113.						

6. Segments Layout

Heading section

Segment number: 20

SG2	- C	99 - NAD-SG3				
SG3	- C	10 - RFF				
RFF	- M	1 - Reference				
Description: To specify a reference.						
Business Term	DE	EDIFACT	EAN	*	GER	Description
	C506	M	M			
	1153	Man..3	M			GN = Government reference number
Statements on business letters	1154	C an..70	R			
Segment notes:						
Segment status: Depending						
This RFF segment may only be used if the preceding NAD has not enough space to fulfill the requirements of directive 2015/58/EG, article 4.						
Example: RFF+GN:HRB-471111' German statements on business letters: HRB-471111						

6. Segments Layout

Heading section

Segment number: 21

SG2	- C	99 - NAD-SG3				
SG3	- C	10 - RFF				
RFF	- M	1 - Reference				
Description: To specify a reference.						
Business Term	DE	EDIFACT	EAN	*	GER	Description
	C506	M	M			
	1153	M an..3	M	*		YC1 = Additional party identification (GS1 Code)
Suppliers additional identification	1154	C an..70	R			
Segment notes:						
Segment status: Conditional						
The RFF segment following the NAD segment can specify an agreed additional identification.						
If no functional or organizational differences are necessary within one company only the GLN is used for communication purposes, if applicable the receiver links within the in-house system. Additional identifications should be agreed only in those cases when different functional entities need to be distinguished at one location.						
Example: RFF+YC1:0817' The additional identification is 0817.						

6. Segments Layout

Heading section

Segment number: 22

SG2	- C	99 - NAD				
NAD	- M	1 - Name and address				
Description: To specify the name/address and their related function, either by C082 only and/or unstructured by C058 or structured by C080 thru 3207.						
Business Term	DE	EDIFACT	EAN	*	GER	Description
	3035	M an..3	M			SF = Ship from
	C082	C	A			
Identification of ship from place	3039	M an..35	M			Global Location Number (GLN) - Format n13
	1131	C an..17	N			
	3055	C an..3	R	*		9 = GS1
Segment notes: Segment status: Conditional Identification of the ship fro place by Global Location Number (GLN). Example: NAD+SF+4012345000009::9' The ship from place is identified by Global Location Number (GLN) 4012345000009.						

6. Segments Layout

Detail section consignment

Segment number: 23

SG10	- C	9999	- CPS-SG11			
CPS	- M	1	- Consignment packing sequence			
Description:						
To identify the sequence in which physical packing is presented in the consignment, and optionally to identify the hierarchical relationship between packing layers.						
Business Term	DE	EDIFACT	EAN	*	GER	Description
Sequence of packages within the consignment	7164	M an..35	M			Sequential numbering is recommended
Segment notes:						
Segment status: Mandatory						
The CPS segment starts the detail section of the message. The segments following the first occurrence of CPS (CPS+1) and previous to the following CPS (CPS+2+1) can provide physical dimensions for the entire consignment.						
This segment is used to identify the sequence in which packing of the consignment occurs, i.e. DE 7164 is increased by 1.						
Note for the first occurrence of SG 10:						
Due to a unique message structure the first SG 10 (CPS+1) is always only used to indicate the number of packages of a consignment and its total weight and volume, even if the consignment consists of only one package.						
Example: CPS+1' Sequence number one.						

6. Segments Layout

Detail section consignment

Segment number: 24

SG10	- C	9999 - CPS-SG11				
SG11	- C	1 - PAC-MEA				
PAC	- M	1 - Package				
Description: To describe the number and type of packages/physical units.						
Business Term	DE	EDIFACT	EAN	*	GER	Description
Number of packages (Consignment)	7224	C n..8	O			
	C531	C	A			
	7075	C an..3	N			
	7233	C an..3	O			50 = Package barcoded EAN-13 or EAN-8 52 = Package barcoded UCC or EAN-128 78 = Package barcoded and EPC tagged (former 55E) 79 = Package EPC tagged only (former 56E)
	7073	C an..3	O			
	C202	C	O			
	7065	C an..17	A			201 = Pallet ISO 1 - 1/1 EURO Pallet (GS1 Code) The use of any code value of this codes list is allowed.
	1131	C an..17	O			
	3055	C an..3	D			9 = GS1 Code value 9 is only used if DE 7065 contains a GS1 code.
Segment notes:						
Segment status: Conditional						
This segment can be used to indicate the total number of packages per package type within the consignment.						
Example: PAC+10+:52+201::9' 10 Pallets ISO 1 - 1/1 EURO Pallet						

6. Segments Layout

Detail section consignment

Segment number: 25

SG10	- C	9999 - CPS-SG11				
SG11	- C	1 - PAC-MEA				
MEA	- C	10 - Measurements				
Description: To specify physical measurements, including dimension tolerances, weights and counts.						
Business Term	DE	EDIFACT	EAN	*	GER	Description
	6311	M an..3	M			PD = Physical dimensions (product ordered)
	C502	C	A			
	6313	C an..3	A			AAD = Total gross weight
	6321	C an..3	O		N	
	6155	C an..17	N			
	6154	C an..70	N			
	C174	C	R			
	6411	M an..3	M			KGM = kilogram TNE = ton (metric ton)
Gross weight of the consignment	6314	C an..18	O			
Segment notes: Segment status: Conditional This segment is used to provide measurements or dimensions relevant to the packaging unit described in the PAC segment. After the first occurrence of the CPS segment the total gross weight of the consignment is provided. Example: MEA+PD+AAD+KGM:10' The gross weight is 10 kg.						

6. Segments Layout

Detail section despatch units

Segment number: 26

SG10	- C	9999 - CPS-SG11				
CPS	- M	1 - Consignment packing sequence				
Description: To identify the sequence in which physical packing is presented in the consignment, and optionally to identify the hierarchical relationship between packing layers.						
Business Term	DE	EDIFACT	EAN	*	GER	Description
Sequence of the packages (despatch units)	7164	M an..35	M			Sequential numbering is recommended
Hierarchy level	7166	C an..35	A			
Segment notes: Segment status: Conditional The detail section provides information about despatch units and associated SSCC. This segment is used to indicate the sequence of despatch units within the consignment, i.e. DE 7164 is increased by 1. If no hierarchical structure is described (first SG10 is mandatory), the message continues with SG 17 after fulfilling the requests of SG 10. Example: CPS+2+1' Sequence number two.						

6. Segments Layout

Detail section despatch units

Segment number: 27

SG10	- C	9999 - CPS-SG11				
SG11	- C	1 - PAC-MEA-SG12-SG13				
PAC	- M	1 - Package				
Description: To describe the number and type of packages/physical units.						
Business Term	DE	EDIFACT	EAN	*	GER	Description
Number of packages (despatch units)	7224	C n..8	O			
	C531	C	A			
	7075	C an..3	N			
	7233	C an..3	O			50 = Package barcoded EAN-13 or EAN-8 52 = Package barcoded UCC or EAN-128 78 = Package barcoded and EPC tagged (former 55E) 79 = Package EPC tagged only (former 56E)
	7073	C an..3	O			
	C202	C	O			
	7065	C an..17	A			201 = Pallet ISO 1 - 1/1 EURO Pallet (GS1 Code) The use of any code value of this codes list is allowed.
	1131	C an..17	O			
	3055	C an..3	D			9 = GS1 Code value 9 is only used if DE 7065 contains a GS1 code.
Segment notes:						
Segment status: Conditional						
This segment can be used to indicate the total number of packages of the consignment within the hierarchy level defined in the CPS segment. The content of each package is described in the following LIN segments.						
Example: PAC+1+:52+201::9' This consignment line contains 1 EURO pallet.						

6. Segments Layout

Detail section despatch units

Segment number: 28

SG10	- C	9999 - CPS-SG11				
SG11	- C	1 - PAC-MEA-SG12-SG13				
SG13	- C	1000 - PCI-SG15				
PCI	- M	1 - Package identification				
Description: To specify markings and labels on individual packages or physical units.						
Business Term	DE	EDIFACT	EAN	*	GER	Description
Marking with SSCC (despatch units)	4233	C an..3	R			33E = Marked with serial shipping container code (GS1 Code)
Segment notes: Segment status: Conditional The PCI segment details markings with SSCC. Example: PCI+33E' Package identification						

6. Segments Layout

Detail section despatch units

Segment number: 29

SG10	- C	9999 - CPS-SG11
SG11	- C	1 - PAC-MEA-SG12-SG13
SG13	- C	1000 - PCI-SG15
SG15	- C	99 - GIN
GIN	- M	1 - Goods identity number

Description:

To give specific identification numbers, either as single numbers or ranges.

Business Term	DE	EDIFACT	EAN	*	GER	Description
	7405	M an..3	M	*		BJ = Serial shipping container code
	C208	M	M			
Serial Shipping Container Code (SSCC)	7402	M an..35	M			

Segment notes:

Segment status: Conditional

This segment provides the SSCC to uniquely identify individual packages.

Example: GIN+BJ+340123450000000014'
The SSCC is 340123450000000014

6. Segments Layout

Detail section despatch units / articles

Segment number: 30

SG10	- C	9999 - CPS-SG11-SG17				
CPS	- M	1 - Consignment packing sequence				
Description:						
To identify the sequence in which physical packing is presented in the consignment, and optionally to identify the hierarchical relationship between packing layers.						
Business Term	DE	EDIFACT	EAN	*	GER	Description
Sequence of the packages (despatch units / articles)	7164	M an..35	M			Sequential numbering is recommended
Hierarchy level (despatch units / articles)	7166	C an..35	A			
Segment notes:						
Segment status: Conditional						
The line level details package and SSCC information that have not master data character.						
This segment is used to provide the sequence of packages within the consignment, i.e. each package starts a new line level by use of the CPS segment and DE 7164 is increased by 1.						
If for example the previous CPS segment (CPS+2+1) has been a pallet, it is possible to indicate the different layers in case of a sandwich pallet. By use of a sandwich pallet the lowest pallet is the first layer (CPS+3+2), the second layer is CPS+4+2, the third is CPS+5+2 etc. If the articles shall be described, SG10 is followed by SG17.						
Example: CPS+3+2' Sequence number three.						

6. Segments Layout

Detail section despatch units / articles

Segment number: 31

SG10	- C	9999 - CPS-SG11-SG17				
SG11	- C	1 - PAC-MEA-SG13				
PAC	- M	1 - Package				
Description: To describe the number and type of packages/physical units.						
Business Term	DE	EDIFACT	EAN	*	GER	Description
Number of packages (despatch units / articles)	7224	C n..8	O			
	C531	C	A			
	7075	C an..3	N			
	7233	C an..3	O			50 = Package barcoded EAN-13 or EAN-8 52 = Package barcoded UCC or EAN-128 78 = Package barcoded and EPC tagged (former 55E) 79 = Package EPC tagged only (former 56E)
	7073	C an..3	O			
	C202	C	O			
	7065	C an..17	A			201 = Pallet ISO 1 - 1/1 EURO Pallet (GS1 Code) The use of any code value of this codes list is allowed.
	1131	C an..17	O			
	3055	C an..3	D			9 = GS1 Code value 9 is only used if DE 7065 contains a GS1 code.
Segment notes:						
Segment status: Conditional						
This segment can be used to indicate the total number of packages of the consignment within the hierarchy level defined in the CPS segment. The content of each package is described in the following LIN segments.						
Example: PAC+1+:52+201::9' This consignment line contains 1 EURO pallet.						

6. Segments Layout

Detail section consignment

Segment number: 32

SG10	- C	9999 - CPS-SG11-SG17				
SG11	- C	1 - PAC-MEA-SG13				
MEA	- C	10 - Measurements				
Description: To specify physical measurements, including dimension tolerances, weights and counts.						
Business Term	DE	EDIFACT	EAN	*	GER	Description
	6311	M an..3	M			PD = Physical dimensions (product ordered)
	C502	C	A			
	6313	C an..3	A			AAD = Total gross weight
	6321	C an..3	O		N	
	6155	C an..17	N			
	6154	C an..70	N			
	C174	C	R			
	6411	M an..3	M			KGM = kilogram TNE = ton (metric ton)
Gross weight of the consignment within the hierarchy level	6314	C an..18	O			
Segment notes:						
Segment status: Conditional						
This segment is used to provide measurements or dimensions relevant to the packaging unit described in the PAC segment. After the first occurrence of the CPS segment the total gross weight of the consignment is provided.						
Example: MEA+PD+AAD+KGM:10' The gross weight is 10 kg.						

6. Segments Layout

Detail section articles

Segment number: 33

SG10	- C	9999 - CPS-SG11-SG17				
SG17	- C	9999 - LIN-PIA-IMD-MEA-QTY-DTM-FTX-SG18-SG22-SG25				
LIN	- M	1 - Line item				
Description: To identify a line item and configuration.						
Business Term	DE	EDIFACT	EAN	*	GER	Description
Line item number	1082	C an..6	R			Application generated number of the item lines within the message
	1229	C an..3	N			
	C212	C	D			
GTIN Article identification	7140	C an..35	R			GTIN, Format n..14
	7143	C an..3	R	*		SRV = GS1 Global Trade Item Number
Segment notes: Status of segment group: Conditional Segment status: Mandatory The LIN segment is used to identify the products contained in the consignment. The GTIN indicated here is the one from the ORDERS. Example: LIN+1++4056786542381:SRV' The despatched product is identified by GTIN 4056786542381.						

6. Segments Layout

Detail section articles

Segment number: 34

SG10	- C	9999 - CPS-SG11-SG17				
SG17	- C	9999 - LIN-PIA-IMD-MEA-QTY-DTM-FTX-SG18-SG22-SG25				
PIA	- C	10 - Additional product id				
Description: To specify additional or substitutional item identification codes.						
Business Term	DE	EDIFACT	EAN	*	GER	Description
	4347	M an..3	M	*		1 = Additional identification
	C212	M	M			
Suppliers article number (secondary indent.)	7140	C an..35	R			
	7143	C an..3	R			SA = Supplier's article number
	1131	C an..17	N			
	3055	C an..3	D		R	91 = Assigned by supplier or supplier's agent
Segment notes: Segment status: Conditional This segment is used to advise the suppliers article number additionally to GTIN. Example: PIA+1+7788:SA::91' The product with GTIN 4056786542381 is additionally identified with suppliers article number 7788.						

6. Segments Layout

Detail section articles

Segment number: 35

SG10	- C	9999 - CPS-SG11-SG17				
SG17	- C	9999 - LIN-PIA-IMD-MEA-QTY-DTM-FTX-SG18-SG22-SG25				
PIA	- C	10 - Additional product id				
Description: To specify additional or substitutional item identification codes.						
Business Term	DE	EDIFACT	EAN	*	GER	Description
	4347	M an..3	M	*		1 = Additional identification
	C212	M	M			
Buyers article number	7140	C an..35	R			
	7143	C an..3	R			IN = Buyer's item number
	1131	C an..17	N			
	3055	C an..3	D		R	92 = Assigned by buyer or buyer's agent
Segment notes: Segment status: Conditional This segment is used to advise the buyers article number additionally to GTIN. Example: PIA+1+1234:IN::92' The product with GTIN 4056786542381 is additionally identified with buyers article number 1234.						

6. Segments Layout

Detail section articles

Segment number: 36

SG10	- C	9999 - CPS-SG11-SG17				
SG17	- C	9999 - LIN-PIA-IMD-MEA-QTY-DTM-FTX-SG18-SG22-SG25				
PIA	- C	10 - Additional product id				
Description: To specify additional or substitutional item identification codes.						
Business Term	DE	EDIFACT	EAN	*	GER	Description
	4347	M an..3	M	*		1 = Additional identification
	C212	M	M			
Batch number	7140	C an..35	R			
	7143	C an..3	R			NB = Batch number
	1131	C an..17	N			
	3055	C an..3	D		R	91 = Assigned by supplier or supplier's agent
Segment notes:						
Segment status: Conditional						
This segment can be used to indicate the batch number.						
Example: PIA+1+CH-X4711:NB::91' The batch number of the product is CH-X4711.						

6. Segments Layout

Detail section articles

Segment number: 37

SG10	- C	9999 - CPS-SG11-SG17				
SG17	- C	9999 - LIN-PIA-IMD-MEA-QTY-DTM-FTX-SG18-SG22-SG25				
PIA	- C	10 - Additional product id				
Description: To specify additional or substitutional item identification codes.						
Business Term	DE	EDIFACT	EAN	*	GER	Description
	4347	M an..3	M	*		1 = Additional identification
	C212	M	M			
Serial number	7140	C an..35	R			
	7143	C an..3	R			SN = Serial number
	1131	C an..17	N			
	3055	C an..3	D		R	91 = Assigned by supplier or supplier's agent 92 = Assigned by buyer or buyer's agent
Segment notes: Segment status: Conditional This segment can be used to indicate the serial number of a product. Example: PIA+1+SE-X4711:SN::91' The serial number of the product is SE-X4711.						

6. Segments Layout

Detail section articles

Segment number: 38

SG10	- C	9999 - CPS-SG11-SG17				
SG17	- C	9999 - LIN-PIA-IMD-MEA-QTY-DTM-FTX-SG18-SG22-SG25				
QTY	- C	10 - Quantity				
Description: To specify a pertinent quantity.						
Business Term	DE	EDIFACT	EAN	*	GER	Description
	C186	M	M			
	6063	M an..3	M	*		12 = Despatch quantity
Delivered quantity	6060	M an..35	M			Use only numeric values.
	6411	C an..3	D			KGM = kilogram LTR = liter The use of any code value of this codes list is allowed.
Segment notes:						
Segment status: Conditional						
This segment is used to indicate quantity information for the delivered product identified in LIN. The measurement unit indicated here is the same as in the preceding ORDERS message. For products with variable quantities the number of pieces is indicated here if possible.						
DE 6411 is only used, if the article is a variable quantity article. Default value is piece.						
Example: QTY+12:5' The quantity is 5 pieces.						

6. Segments Layout

Detail section articles

Segment number: 39

SG10	- C	9999 - CPS-SG11-SG17				
SG17	- C	9999 - LIN-PIA-IMD-MEA-QTY-DTM-FTX-SG18-SG22-SG25				
QTY	- C	10 - Quantity				
Description: To specify a pertinent quantity.						
Business Term	DE	EDIFACT	EAN	*	GER	Description
	C186	M	M			
	6063	M an..3	M	*		192 = Free goods quantity
Free goods quantity	6060	M an..35	M			Use only numeric values.
	6411	C an..3	D			KGM = kilogram LTR = liter The use of any code value of this codes list is allowed.

Segment notes:

Segment status: Conditional

This segment can be used to provide free goods quantity.

The use of more than one QTY segment needs to be mutually agreed. If the same line contains "quantity delivered" (QTY+12) and "free goods quantity", than "free goods quantity" is contained in "quantity delivered". If one line "free goods quantity" and one line "quantity delivered" is transmitted by use of the same GTIN, the total quantity is calculated by addition of both QTY segments.

DE 6411 is only used, if the article is a variable quantity article. Default value is piece.

Example: QTY+192:1'
1 piece without invoicing.

6. Segments Layout

Detail section articles

Segment number: 40

SG10	- C	9999 - CPS-SG11-SG17				
SG17	- C	9999 - LIN-PIA-IMD-MEA-QTY-DTM-FTX-SG18-SG22-SG25				
QTY	- C	10 - Quantity				
Description: To specify a pertinent quantity.						
Business Term	DE	EDIFACT	EAN	*	GER	Description
	C186	M	M			
	6063	Man..3	M	*		21 = Ordered quantity
Ordered quantity	6060	Man..35	M			Use only numeric values.
	6411	C an..3	D			KGM = kilogram LTR = liter The use of any code value of this codes list is allowed.
Segment notes:						
Segment status: Conditional						
This segment can be used additionally if quantity differs between what was ordered/delivered.						
DE 6411 is only used, if the article is a variable quantity article. Default value is piece.						
Example: QTY+21:9' The ordered quantity is 9 pieces.						

6. Segments Layout

Detail section articles

Segment number: 41

SG10	- C	9999 - CPS-SG11-SG17
SG17	- C	9999 - LIN-PIA-IMD-MEA-QTY-DTM-FTX-SG18-SG22-SG25
SG18	- C	99 - RFF
RFF	- M	1 - Reference

Description:

To specify a reference.

Business Term	DE	EDIFACT	EAN	*	GER	Description
	C506	M	M			
	1153	M an..3	M			ON = Order number (buyer)
Buyers order number (Detail section articles)	1154	C an..70	R			
Order line item number	1156	C an..6	C			

Segment notes:

Segment status: Conditional

This segments enables a reference to the buyers order number and line item number.

Example: RFF+ON:4811:7'

The despatch advice refers to line 7 of buyers order number 4811.

6. Segments Layout

Detail section

Segment number: 42

SG10	- C	9999 - CPS-SG11-SG17				
SG17	- C	9999 - LIN-PIA-IMD-MEA-QTY-DTM-FTX-SG18-SG22-SG25				
SG18	- C	99 - RFF				
RFF	- M	1 - Reference				
Description: To specify a reference.						
Business Term	DE	EDIFACT	EAN	*	GER	Description
	C506	M	M			
	1153	M an..3	M			SS = Seller's reference number
Sellers reference number	1154	C an..70	R			
Segment notes:						
Segment status: Depending						
This RFF segment is used to indicate a sellers reference number relevant for the despatch advice line. This indication overwrites the information given in the heading-section.						
Example: RFF+SS:4711' The despatch advice line is based on sellers reference no. 4711.						

6. Segments Layout

Detail section articles

Segment number: 43

SG10	- C	9999 - CPS-SG11-SG17				
SG17	- C	9999 - LIN-PIA-IMD-MEA-QTY-DTM-FTX-SG18-SG22-SG25				
SG25	- C	10 - QVR				
QVR	- M	1 - Quantity variances				
Description: To specify item details relating to quantity variances.						
Business Term	DE	EDIFACT	EAN	*	GER	Description
	C279	C	R			
Quantity difference	6064	M n..15	M			
	6063	C an..3	R	*		21 = Ordered quantity
	4221	C an..3	C			AC = Over-shipped BP = Shipment partial - back order to follow CP = Shipment partial - considered complete, no backorder AC = Code indicating that there was an excess quantity of goods in a shipment relative to the order. BP = The shipment is incomplete, the missing quantities are to follow. CP = Shipment does not fulfil the complete order but should be considered complete. Unshipped items are not considered to be on backorder.
Segment notes:						
Segment status: Depending						
This segment must be used if variances exist between what was ordered and what is ready for or has been despatched.						
The quantity identified in DE 6064 must always refer to the difference between the despatched quantity identified in DE 6060 of QTY at LIN level and the ordered quantity. For negative values (e.g. damaged goods not accepted) the variance must be expressed as negative.						
Example: QVR+-4:21+BP' The quantity difference is 4 units.						

6. Segments Layout

Summary section

Segment number: 44

CNT - C 5 - Control total						
Description: To provide control total.						
Business Term	DE	EDIFACT	EAN	*	GER	Description
	C270	M	M			
	6069	Man..3	M	*		<p>2 = Number of line items in message 7 = Total gross weight</p> <p>Note: When using code value '7= Total gross weight' in this data element the total specified in data element 6066 is arrived at by adding the values in data element 6314 of the MEA segment at LIN level when code value AAB is used in the same MEA segment.</p>
Control value	6066	Mn..18	M			
<p>Segment notes:</p> <p>Segment status: Conditional</p> <p>This segment is used to provide message control information for checking on the message receiver's in-house system.</p> <p>Example: CNT+2:3' The message contains 3 line items.</p>						

7. Example(s)

End of message

Segment number: 45

UNT - M 1 - Message trailer						
Description: To end and check the completeness of a message.						
Business Term	DE	EDIFACT	EAN	*	GER	Description
Total number of segments in the message	0074	M n..6	M			
	0062	M an..14	M			The message reference numbered detailed here should equal the one specified in the UNH segment.
Segment notes: Segment status: Mandatory This segment is a mandatory UN/EDIFACT segment. It must always be the last segment in the message. Example: UNT+154+ME000001' Number of segments in the message.						

7. Example(s)

Segment number: 46

UNZ - M 1 - Interchange trailer						
Description: To end and check the completeness of an interchange.						
Business Term	DE	EDIFACT	EAN	*	GER	Description
End of the transmission file, Number of messages or message groups	0036	M n..6	M			Number of messages or message groups in the transmission file.
Interchange control reference, end	0020	M an..14	M			Interchange control reference, identical with UNB DE 0020.
<p>Segment notes:</p> <p>Segment status: Mandatory</p> <p>The UNZ segment is the last segment of the transmission file.</p> <p>Note DE 0036: If functional groups are not used, this is the number of messages within the interchange.</p> <p>Example: UNZ+1+4711' The transmission file contains 1 message.</p>						

7. Example(s)

Example 1: DESADV with sandwich pallets

The following is an example of a Despatch Advice message providing a description of a consignment of goods to be despatched by the supplier of the goods, identified by GLN 4005505000001. The buyer of the goods is identified by GLN 4300234000002 and the warehouse where the goods are to be delivered is identified by GLN 4306545000007.

The Despatch Advice, reference number 3387 is sent on the 03.01.2007. The goods to be despatched are a complete shipment of the goods purchased according to the buyer's purchase order number 4506102649. They are to be delivered on the 07.01.2007.

The despatch advice refers to a consignment of goods to be despatched, containing 4 pallets, each pallet uniquely identified by a GS1 serial shipping container code (SSCC). All pallets are standard pallets 800mm x 1200mm.

The first pallet is a sandwich pallet identified by SSCC 340055006337013062 with 3 layers containing 49 cartons.

The first layer is identified by SSCC 340055007128841024 and contains 3 cartons of a product with GTIN 400550073437. The second layer is identified by SSCC 340055007128855892 and contains 10 cartons of a product with GTIN 405500073406. The third layer is identified by SSCC 340055007128841109 and contains 13 cartons of a product with GTIN 400550072409 and 23 cartons of a product with GTIN 4005500073802.

The second pallet is a homogeneous pallet identified by SSCC 340055007128841031 contains 80 cartons of a product with GTIN 4005500072904.

The third pallet is a homogeneous pallet identified by SSCC 340055007128869400 contains 44 cartons of a product with GTIN 400550073109.

The fourth pallet is a sandwich pallet identified by SSCC 340055000223707189 with 3 layers containing 52 cartons. The first layer is identified by SSCC 340055007128841109 and contains 4 cartons of a product with GTIN 4005500073451. The second layer is identified by SSCC 340055005922028450 and contains 10 cartons of a product with GTIN 405500073406. The third layer is identified by SSCC 340055007128855540 and contains 8 cartons of a product with GTIN 8000270043228 and 30 cartons of a product with GTIN 4005500333623.

7. Example(s)

UNH+1+DESADV:D:01B:UN:EAN007'	Beginning of message
BGM+351+3387+9'	Despatch advice No. 3387
DTM+137:20070103:102'	Document date 03.01.2007
DTM+17:20070107:102'	Delivery date, estimated 07.01.2007
RFF+DQ:80683239'	Delivery note No. 80683239
RFF+ON:4506102649'	Buyers order No. 4506102649
NAD+BY+4300234000002::9'	GLN buyer 4300234000002
NAD+DP+4306545000007::9'	GLN delivery party 4306545000007
NAD+SU+4005505000001::9'	GLN supplier 4005505000001
CPS+1'	Highest level of hierarchy
PAC+4++201::9'	Consignment contains 4 ISO 1 pallets
CPS+2+1'	1. (Sandwich-) pallet of consignment
PAC+1+:52+201::9'	is an ISO 1 pallet marked with SSCC
MEA+PD+LAY+PCE:3'	and has 3 layers
PCI+33E'	
GIN+BJ+340055006337013062'	SSCC of the first pallet
PAC+49+:50+CT'	Pallet contains 49 marked cartons
CPS+3+2'	First pallet, first layer
PAC+1+:52+201::9'	is an ISO 1 pallet marked with SSCC
PCI+33E'	
GIN+BJ+340055007128841024'	SSCC of the first layer
PAC+3+:50+CT'	1. layer contains 3 cartons
LIN+1+++4005500073437:SRV'	barcoded with GTIN 4005500073437
QTY+12:3'	3 (cartons) will be delivered
CPS+4+2'	First pallet, second layer
PAC+1+:52+201::9'	is an ISO 1 pallet marked with SSCC
PCI+33E'	
GIN+BJ+340055007128855892'	SSCC of the second layer
PAC+10+:50+CT'	2. layer contains 10 cartons
LIN+2+++4005500073406:SRV'	barcoded with GTIN 4005500073406
QTY+12:10'	10 (cartons) will be delivered
CPS+5+2'	First pallet, third layer
PAC+1+:52+201::9'	is an ISO 1 pallet marked with SSCC
PCI+33E'	
GIN+BJ+340055007128841109'	SSCC of the third layer
PAC+36+:50+CT'	3. layer contains 36 cartons
LIN+3+++4005500072409:SRV'	barcoded with GTIN 4005500072409
QTY+12:13'	13 (cartons) will be delivered
LIN+4+++4005500073802:SRV'	and marked with GTIN 4005500073802
QTY+12:23'	23 (cartons) will be delivered
CPS+6+1'	2. pallet of the consignment
PAC+1+:52+201::9'	is an ISO 1 pallet marked with SSCC
PCI+33E'	
GIN+BJ+340055007128841031'	SSCC of the second pallet
PAC+80+:50+CT'	Pallet contains 80 cartons
LIN+5+++4005500072904:SRV'	barcoded with GTIN 4005500072904
QTY+12:80'	80 (cartons) will be delivered

7. Example(s)

CPS+7+1'	3. pallet of the consignment
PAC+1+:52+201::9'	is an ISO 1 pallet marked with SSCC
PCI+33E'	
GIN+BJ+340055007128869400'	SSCC of the third pallet
PAC+44+:50+CT'	Pallet contains 44 cartons
LIN+6++4005500073109:SRV'	barcoded with GTIN 4005500073109
QTY+12:44'	44 (cartons) will be delivered
CPS+8+1'	4. (Sandwich-) pallet of consignment
PAC+1+:52+201::9'	is an ISO 1 pallet marked with SSCC
MEA+PD+LAY+PCE:3'	and has 3 layers
PCI+33E'	
GIN+BJ+340055000223707189'	SSCC of the fourth pallet
PAC+52+:50+CT'	Pallet contains 52 cartons
CPS+9+8'	Fourth pallet, first layer
PAC+1+:52+201::9'	is an ISO 1 pallet marked with SSCC
PCI+33E'	
GIN+BJ+340055007128841109'	SSCC of the first layer
PAC+4+:50+CT'	1. layer contains 4 cartons
LIN+7++4005500073451:SRV'	barcoded with GTIN 4005500073451
QTY+12:4'	4 (cartons) will be delivered
CPS+10+8'	Fourth pallet, second layer
PAC+1+:52+201::9'	is an ISO 1 pallet marked with SSCC
PCI+33E'	
GIN+BJ+340055005922028450'	SSCC of the second layer
PAC+10+:50+CT'	2. layer contains 10 cartons
LIN+8++4005500073406:SRV'	barcoded with GTIN 4005500073406
QTY+12:10'	10 (cartons) will be delivered
CPS+11+8'	Fourth pallet, third layer
PAC+1+:52+201::9'	is an ISO 1 pallet marked with SSCC
PCI+33E'	
GIN+BJ+340055007128855540'	SSCC of the third layer
PAC+38+:50+CT'	3. layer contains 38 cartons
LIN+9++8000270043228:SRV'	barcoded with GTIN 8000270043228
QTY+12:8'	8 (cartons) will be delivered
LIN+10++4005500333623:SRV'	and marked with GTIN 4005500333623
QTY+12:30'	30 (cartons) will be delivered
UNT+84+1'	End of message

One SSCC is assigned for every physical layer of a sandwich pallet.

7. Example(s)

Example 2: DESADV with short delivery

The following is an example of a Despatch Advice message providing a description of a consignment of goods to be despatched by the supplier of the goods, identified by GLN 4005505000001. The buyer of the goods is identified by GLN 4300234000002 and the warehouse where the goods are to be delivered is identified by GLN 4306545000007.

The Despatch Advice, reference number 3387 is sent on the 03.01.2007. The goods to be despatched are a shipment of the goods purchased according to the buyer's purchase order number 4506102649. They are to be delivered on the 07.01.2007. The first line fulfils the ORDERS, the second line advises 44 of 80 ordered cartons, the ordered article (80 cartons) with GTIN 4005500073451 is out of stock and cannot be delivered.

The first pallet is homogenous and identified by SSCC 340055007128841031. It contains 80 cartons of GTIN 4005500072904. The second pallet is homogenous but not complete and identified by SSCC 340055007128869400. It contains 44 cartons of GTIN 400550073109.

One CPS segment without SSCC is indicated for the out of stock article. The delivery quantity zero is significant and may be indicated explicitly.

UNH+1+DESADV:D:01B:UN:EAN007'	Beginning of message
BGM+351+3387+9'	Despatch advice No. 3387
DTM+137:20070103:102'	Document date 03.01.2007
DTM+17:20070107:102'	Delivery date, estimated 07.01.2007
RFF+DQ:80683239'	Delivery note No. 80683239
RFF+ON:4506102649'	Buyers order No. 4506102649
NAD+BY+4300234000002::9'	GLN buyer 4300234000002
NAD+DP+4306545000007::9'	GLN delivery party 4306545000007
NAD+SU+4005505000001::9'	GLN supplier 4005505000001
CPS+1'	Highest level of hierarchy
PAC+2++201::9'	Consignment contains 2 ISO 1 pallets
CPS+2+1'	1. pallet of consignment
PAC+1+:52+201::9'	is an ISO 1 pallet marked with SSCC
PCI+33E'	
GIN+BJ+340055007128841031'	SSCC of the first pallet
PAC+80+:50+CT'	Pallet contains 80 marked cartons
LIN+1+++4005500072904:SRV'	barcoded with GTIN 4005500072904
QTY+12:80'	80 (cartons) will be delivered
CPS+3+1'	2. pallet of consignment
PAC+1+:52+201::9'	is an ISO 1 pallet marked with SSCC
PCI+33E'	
GIN+BJ+340055007128869400'	SSCC of the second pallet
PAC+44+:50+CT'	2. Pallet contains 44 cartons
LIN+2+++4005500731009:SRV'	barcoded with GTIN 4005500731009
QTY+12:44'	44 (cartons) will be delivered

7. Example(s)

QTY+21:80'	80 (cartons) have been ordered
QVR+-36:21+BP'	36 units are missing and will be delivered later
CPS+4+1'	Shortage
PAC+0'	Bilateral agreement necessary!
LIN+3++4005500073451:SRV'	GTIN 4005500073451
QTY+12:0'	0 (cartons) will be delivered
QTY+21:60'	60 (cartons) have been ordered
QVR+-60:21+CP'	60 units are missing and will not be delivered later.
UNT+34+1'	End of message

It is recommended to have a bilateral agreement for cases of non-delivery.

7. Example(s)

Example 3: DESADV with substitute article

The following is an example of a Despatch Advice message providing a description of a consignment of goods to be despatched by the supplier of the goods, identified by GLN 4005505000001. The buyer of the goods is identified by GLN 4300234000002 and the warehouse where the goods are to be delivered is identified by GLN 4306545000007.

The Despatch Advice, reference number 3387 is sent on the 03.01.2007. The goods to be despatched are a shipment of the goods purchased according to the buyer's purchase order number 4506102649. They are to be delivered on the 07.01.2007. Buyer and supplier agreed the delivery of substitute articles.

As the article identified by GTIN 4005500072904 is not deliverable, the supplier advises the same quantity of a substitute article identified by GTIN 4005500073451. The consignment is made up of two homogeneous pallets marked with SSCC 340055007128841031 and 340055007128869400.

UNH+1+DESADV:D:01B:UN:EAN007'	Beginning of message
BGM+351+3387+9'	Despatch advice No. 3387
DTM+137:20070103:102'	Document date 03.01.2007
DTM+17:20070107:102'	Delivery date, estimated 07.01.2007
RFF+DQ:80683239'	Delivery note No. 80683239
RFF+ON:4506102649'	Buyers order No. 4506102649
NAD+BY+4300234000002::9'	GLN buyer 4300234000002
NAD+DP+4306545000007::9'	GLN delivery party 4306545000007
NAD+SU+4005505000001::9'	GLN supplier 4005505000001
CPS+1'	Highest level of hierarchy
PAC+2++201::9'	Consignment contains 2 ISO 1 pallets
CPS+2+1'	1. pallet of the consignment
PAC+1+:52+201::9'	is an ISO 1 pallet marked with SSCC
PCI+33E'	
GIN+BJ+340055007128841031'	SSCC of the first pallet
PAC+80++CT'	Pallet contains 80 cartons
LIN+1++4005500072904:SRV'	Ordered GTIN 4005500072904
PIA+3+4005500073451:SRV::9'	Substitute article with GTIN 4005500073451
QTY+12:80'	80 (cartons) will be delivered
CPS+3+1'	2. pallet of the consignment
PAC+1+:52+201::9'	is an ISO 1 pallet marked with SSCC
PCI+33E'	
GIN+BJ+340055007128869400'	SSCC of the second pallet
PAC+80++CT'	Pallet contains 80 cartons
LIN+2++4005500072904:SRV'	Ordered GTIN 4005500072904
PIA+3+4005500073451:SRV::9'	Substitute article with GTIN 4005500073451
QTY+12:80'	80 (cartons) will be delivered
UNT+28+1'	End of message

7. Example(s)

Example 4: DESADV – delivery by parcel service

The following is an example of a Despatch Advice message providing a description of a consignment of goods to be despatched by the supplier of the goods, identified by GLN 4005505000001. The parcel is delivered by a parcel service provider identified by GLN 4022331000004. The buyer of the goods is identified by GLN 4300234000002 and the warehouse where the replacement part has to be delivered is identified by GLN 4306545000007.

The Despatch Advice, reference number 3387 is sent on the 03.01.2007. The replacement part with GTIN 4005500072904 is shipped according to the buyer's purchase order number 4506102649. The consignment has to be delivered on the 07.01.2007.

The supplier marked the parcel with SSCC 340055007128841031. Additionally the parcel service marked the parcel with an internal identification 123376HKA16644.

UNH+1+DESADV:D:01B:UN:EAN007'	Beginning of message
BGM+351+3387+9'	Despatch advice No. 3387
DTM+137:20070103:102'	Document date 03.01.2007
DTM+17:20070107:102'	Delivery date, estimated 07.01.2007
RFF+DQ:80683239'	Delivery note No. 80683239
RFF+ON:4506102649'	Buyers order No. 4506102649
NAD+BY+4300234000002::9'	GLN buyer 4300234000002
NAD+DP+4306545000007::9'	GLN delivery party 4306545000007
NAD+SU+4005505000001::9'	GLN supplier 4005505000001
NAD+FW+4022331000004::9'	GLN forwarder 4022331000004
CPS+1'	Highest level of hierarchy
PAC+1++CT::9'	Consignment contains 1 carton
PCI+33E'	
GIN+BJ+340055007128841031'	SSCC of the parcel
PCI+IEN+123376HKA16644'	Internal identification of the parcel by service provider
LIN+1++4005500072904:SRV'	GTIN 4005500072904
QTY+12:1'	1 article will be delivered
UNT+18+1'	End of message

7. Example(s)

Example 5: DESADV for a display / mixed assortment

The following is an example of a Despatch Advice message providing a description of a consignment of goods to be despatched by the supplier of the goods, identified by GLN 4005505000001. The buyer of the goods is identified by GLN 4300234000002 and the outlet where the goods are to be delivered is identified by GLN 4306545000007.

The Despatch Advice, reference number 3387 is sent on the 03.01.2007. The goods to be despatched are within a mixed assortment display purchased according to the buyer's purchase order number 4506102649. They are to be delivered on the 07.01.2007.

The display is a promotional variant and consists of a carton placed on a pallet containing four kinds of chocolate. The SSCC is 340055007128841031.

UNH+1+DESADV:D:01B:UN:EAN007'	Beginning of message
BGM+351+3387+9'	Despatch advice No. 3387
DTM+137:20070103:102'	Document date 03.01.2007
DTM+17:20070107:102'	Delivery date, estimated 07.01.2007
RFF+DQ:80683239'	Delivery note No. 80683239
RFF+ON:4506102649'	Buyers order No. 4506102649
NAD+BY+4300234000002::9'	GLN buyer 4300234000002
NAD+DP+4306545000007::9'	GLN delivery party 4306545000007
NAD+SU+4005505000001::9'	GLN supplier 4005505000001
CPS+1'	Highest level of hierarchy
PAC+1+:52+201::9'	Consignment contains 1 ISO 1 pallet
PCI+33E'	
GIN+BJ+340055007128841031'	SSCC of the consignment
PAC+1++CT::9'	1 carton is placed on the pallet
LIN+1+++4005500072904:SRV'	GTIN 4005500072904
PIA+1+4005500072904:PV::9'	Article is a promotional variant
QTY+12:1'	1 article will be delivered
LIN+2+++4005500141423:SRV::+1:1'	1. sub line = GTIN 4005500141423
IMD+A++::Milk Chocolate 100g::EN'	article description
QTY+45E:50'	50 chocolate bars of this kind are in the display
LIN+3+++4005500145389:SRV::+1:1'	2. sub line = GTIN 4005500145389
IMD+A++::Hazelnut Chocolate 100g::EN'	article description
QTY+45E:50'	50 chocolate bars of this kind are in the display
LIN+4+++4005500149137:SRV::+1:1'	3. sub line = GTIN 4005500149137
IMD+A++::Almond Chocolate 100g::EN'	article description
QTY+45E:50'	50 chocolate bars of this kind are in the display
LIN+5+++4005500143812:SRV::+1:1'	4. sub line = GTIN = GTIN 4005500143812
IMD+A++::Muesli Chocolate 100g::EN'	article description
QTY+45E:50'	50 chocolate bars of this kind are in the display
UNT+30+1'	End of message

Note: The use of sub lines in DESADV is possible from a technical point of view, but unusual in practice.

7. Example(s)

Example 6: DESADV with SSCC and GRAI

The following is an example of a Despatch Advice message providing a description of a consignment of goods to be despatched by the supplier of the goods, identified by GLN 4005505000001. The buyer of the goods is identified by GLN 4300234000002 and the outlet where the goods are to be delivered is identified by GLN 4306545000007.

The Despatch Advice, reference number 3387 is sent on the 03.01.2007. The goods to be despatched are a complete shipment of the goods purchased according to the buyer's purchase order number 4506102649. They are to be delivered on the 07.01.2007.

The DESADV describes a consignment made up of one pallet which is marked with a SSCC.

The pallet is identified by SSCC 340055006337013062. It contains three assets which are marked with Global Returnable Asset Identifier (GRAI). The first asset is identified by GRAI 430055007128841024 and contains 22 kilograms of pork filet with GTIN 400550073437. The second asset is identified by GRAI 430055007128855892 and contains 24 kilograms of roast beef with GTIN 405500073406. The third asset is identified by GRAI 30055007128841109 and contains 18 kilograms of turkey filet with GTIN 4005500072409.

UNH+1+DESADV:D:01B:UN:EAN007'	Beginning of message
BGM+351+3387+9'	Despatch advice No. 3387
DTM+137:20070103:102'	Document date 03.01.2007
DTM+17:20070107:102'	Delivery date, estimated 07.01.2007
RFF+DQ:80683239'	Delivery note No. 80683239
RFF+ON:4506102649'	Buyers order No. 4506102649
NAD+BY+4300234000002::9'	GLN buyer 4300234000002
NAD+DP+4306545000007::9'	GLN delivery party 4306545000007
NAD+SU+4005505000001::9'	GLN supplier 4005505000001
CPS+1'	
PAC+1+:52+201::9'	Consignment contains 1 ISO 1 pallet
PCI+33E'	
GIN+BJ+340055006337013062'	SSCC of the consignment
PAC+3++DL'	3 assets are placed on the pallet
CPS+2+1'	Level 1, No. 2
PAC+1++DL'	first asset
PCI+41G'	
GIN+RAG+430055007128841024'	GRAI of the first asset
LIN+1++4005500073437:SRV'	contains GTIN 4005500073437
QTY+12:22:KGM'	22 kilograms will be delivered
CPS+3+1'	Level 1, No. 3
PAC+1++DL'	second asset
PCI+41G'	
GIN+RAG+430055007128855892'	GRAI of the second asset
LIN+2++4005500073406:SRV'	contains GTIN 4005500073406
QTY+12:24:KGM'	24 kilograms will be delivered

7. Example(s)

CPS+4+1'	Level 1, No. 4
PAC+1++DL'	third asset
PCI+41G'	
GIN+RAG+430055007128841109'	GRAI of the third asset
LIN+3++4005500072409:SRV'	contains GTIN 4005500072409
QTY+12:18:KGM'	18 kilograms will be delivered
UNT+34+1'	End of message

7. Example(s)

Example 7: DESADV for a big article on 3 pallets (Quantity = 2)

The following is an example of a Despatch Advice message providing a description of a consignment of two identical articles (GTIN = 4005500073406) to be despatched by the supplier of the goods, identified by GLN 4005505000001. Each article (training machine) is demounted and is transported on 3 pallets. The buyer of the goods is identified by GLN 4300234000002 and the warehouse where the goods are to be delivered is identified by GLN 4306545000007.

The Despatch Advice, reference number 3387 is sent on the 03.01.2007. The goods to be despatched are a complete shipment of the goods purchased according to the buyer's purchase order number 4506102649. They are to be delivered on the 07.01.2007.

To indicate that respectively 3 parts make one article, the GTIN is followed by an identification from the GS1 128 concept. The application identifier 8006 is followed by the 14 digit GTIN, digit 15 and 16 contain the sequence number of the component and digit 17 and 18 show the number of components.

UNH+1+DESADV:D:01B:UN:EAN007'	Beginning of message
BGM+351+3387+9'	Despatch advice No. 3387
DTM+137:20060103:102'	Document date 03.01.2007
DTM+2:20060107:102'	Delivery date, estimated 07.01.2007
RFF+DQ:80683239'	Delivery note No. 80683239
RFF+ON:4506102649'	Buyers order No. 4506102649
NAD+BY+4300234000002::9'	GLN buyer 4300234000002
NAD+DP+4306545000007::9'	GLN delivery party 4306545000007
NAD+SU+4005505000001::9'	GLN supplier 4005505000001
CPS+1'	Highest level of hierarchy
PAC+6++201::9'	Consignment contains 6 ISO 1 pallets
CPS+2+1'	Level 1, No. 2
PAC+3++201::9'	Consignment part 1 contains 3 ISO 1 pallets
CPS+3+2'	level 2, No. 3
PAC+1+:52+201::9'	first pallet
PCI+33E'	barcoded with SSCC
RFF+PK:PL001'	packing list PL001
GIN+BJ+340055006337013062'	1.SSCC = 340055006337013062
LIN+1++4005500073406:SRV'	GTIN = 4005500073406
QTY+12:1'	one piece will be delivered
PCI+17+8006040055000734060103'	first of three units making one article
CPS+4+2'	Level 2, No. 4
PAC+1+:52+201::9'	second pallet
PCI+33E'	barcoded with SSCC
RFF+PK:PL001'	packing list PL001
GIN+BJ+340055007128841024'	2.SSCC = 340055007128841024

7. Example(s)

LIN+2++4005500073406:SRV'	GTIN = 4005500073406
QTY+12:1'	one piece will be delivered
PCI+17+8006040055000734060203'	second of three units making one article
CPS+5+2'	Level 2, No. 5
PAC+1+:52+201::9'	third pallet
PCI+33E'	barcoded with SSCC
RFF+PK:PL001'	packing list PL001
GIN+BJ+340055007128855892'	3.SSCC = 340055007128855892
LIN+3++4005500073406:SRV'	GTIN = 4005500073406
QTY+12:1'	one piece will be delivered
PCI+17+8006040055000734060303'	third of three units making one article
CPS+6+1'	Level 1, No. 6
PAC+3++201::9'	Consignment part 2 contains 3 ISO 1 pallets
CPS+7+2'	level 2, No. 7
PAC+1+:52+201::9'	fourth pallet
PCI+33E'	barcoded with SSCC
RFF+PK:PL002'	packing list PL002
GIN+BJ+340066006337013062'	4.SSCC = 340066006337013062
LIN+4++4005500073406:SRV'	GTIN = 4005500073406
QTY+12:1'	one piece will be delivered
PCI+17+8006040055000734060103'	first of three units making one article
CPS+8+2'	level 2, No. 8
PAC+1+:52+201::9'	fifth pallet
PCI+33E'	barcoded with SSCC
RFF+PK:PL002'	packing list PL002
GIN+BJ+340066007128841024'	5.SSCC = 340066007128841024
LIN+5++4005500073406:SRV'	GTN = 4005500073406
QTY+12:1'	one piece will be delivered
PCI+17+8006040055000734060203'	second of three units making one article
CPS+9+2'	level 2, No. 9
PAC+1+:52+201::9'	sixth pallet
PCI+33E'	barcoded with SSCC
RFF+PK:PL002'	packing list PL002
GIN+BJ+340066007128855892'	6.SSCC = 340066007128855892
LIN+6++4005500073406:SRV'	GTIN = 4005500073406
QTY+12:1'	one piece will be delivered
PCI+17+8006040055000734060303'	third of three units making one article
UNT+64+1'	End of message

7. Example(s)

Example 8: DESADV for products of variable quantity

The following is an example of a Despatch Advice message providing a description of a consignment to be despatched by the supplier of the goods, identified by GLN 4005505000001. The buyer of the goods is identified by GLN 4300234000002 and the outlet where the goods are to be delivered is identified by GLN 4306545000007.

The Despatch Advice, reference number 3387 is sent on the 03.01.2007. The goods to be despatched are a complete shipment of the goods purchased according to the buyer's purchase order number 4506102649. They are to be delivered on the 07.01.2007.

The DESADV refers to a consignment containing of one pallet identified by SSCC. 24 entire Gouda cheeses have been ordered (GTIN 4005500073437).

In DESADV the ordered quantity is shown as delivered quantity (24 pieces). Additionally the weight is indicated, which will be the invoiced quantity in the following INVOIC.

UNH+1+DESADV:D:01B:UN:EAN007'	Beginning of message
BGM+351+3387+9'	Despatch advice No. 3387
DTM+137:20070103:102'	Document date 03.01.2007
DTM+17:20070107:102'	Delivery date, estimated 07.01.2007
RFF+DQ:80683239'	Delivery note No. 80683239
RFF+ON:4506102649'	Buyers order No. 4506102649
NAD+BY+4300234000002::9'	GLN buyer 4300234000002
NAD+DP+4306545000007::9'	GLN delivery party 4306545000007
NAD+SU+4005505000001::9'	GLN supplier 4005505000001
CPS+1'	Highest level of hierarchy
PAC+1+:52+201::9'	Consignment contains 1 ISO 1 pallet
PCI+33E'	
GIN+BJ+340055006337013062'	SSCC of the consignment
LIN+1++4005500073437:SRV'	GTIN 4005500073437
MEA+ABW+AAL:::KGM:248.8'	the net weight of the line ist 248.8 kg.
QTY+12:24'	24 pieces will be delivered
PCI+39E'	marked with
DTM+361:20070215:102'	best before date 15.02.2007
PCI+36E'	and marked with
GIN+BX+987654'	batch number 987654
UNT+21+1	End of message

7. Example(s)

UNA:+.? '
UNB+UNOC:3+4012345000009:14+4000004000002:14+151024:1043+4711+++++EANCOM+1'
UNH+ME000001+DESADV:D:01B:UN:EAN007'
BGM+351::9+87441+9'
DTM+137:20150503:102'
DTM+11:20151214:102'
DTM+17:20151215:102'
RFF+ON:4711'
RFF+VN:4712'
RFF+DQ:4714'
NAD+BY+4071615111110::9'
RFF+YC1:0815'
CTA+PD+AG-TI406:Herr Schmidt'
NAD+DP+4089876511111::9++Sturm und Drang GmbH+Maarweg 104+Köln++50825+DE'
RFF+YC1:0816'
CTA+PD+Claus Früh'
NAD+UC+4089876986411::9++Im weissen Rösl+Maarweg 123+Köln++50825+DE'
RFF+YC1:0816'
NAD+SU+4389876511113::9'
RFF+YC1:0817'
NAD+SF+4012345000009::9'
CPS+1'
PAC+10+:52+201::9'
MEA+PD+AAD+KGM:10'
CPS+2+1'
PAC+1+:52+201::9'
PCI+33E'
GIN+BJ+340123450000000014'
CPS+3+2'
PAC+1+:52+201::9'.
MEA+PD+AAD+KGM:10'
LIN+1++4056786542381:SRV'
PIA+1+7788:SA::91'
PIA+1+1234:IN::92'
PIA+1+CH-X4711:NB::91'
PIA+1+SE-X4711:SN::91'
QTY+12:5'
QTY+192:1'
QTY+21:9'
RFF+ON:4811:7'
RFF+SS:4711'
QVR+-4:21+BP'
CNT+2:1'
UNT+42+ME000001'