

GS1 Germany EDI Recommendation

**for the textile sectors
CFB-Connecting Fashion Business
V2.1
Purchase Order
(ORDERS)**

**based on
EANCOM[®] 2002 S3**

1. Introduction.....	2
2. List of business terms	6
3. Message structure chart.....	8
4. Branching diagram	9
5. Segment Descriptions	11
6. Segments layout.....	14
7. Example(s)	54

1. Introduction

Preamble

The aim of the brochure on hand is to offer documentation describing the exchange of purchase order data between business partners.

The basis of this elaboration is the international standard EANCOM® 2002. The message type ORDERS 010 is used to transmit relevant data. GEFEG.FX (Gefeg mbH, Berlin) was used as the documentation tool.

Please be aware to know that this booklet does not replace the complete specifications in the original chapters or other relevant instructions within the EANCOM® 2002 documentation. Instead, it deals with the description of segments, data elements and codes to be used for a specific task.

The current documentation has been produced by the GS1 Germany GmbH in Cologne. GS1 Germany assumes no liability for any damages incurring from the use of this documentation. This brochure or extracts thereof may only be published or forwarded to third parties with the express written consent of GS1 Germany, which holds copyright on this work.

GS1 Germany thanks all experts who contributed significantly to these guidelines with knowledge from their daily business.

Important note:

To fulfill the requirements of directive 2003/58/EG, article 4, C058 has been opened in NAD segments identifying a message sender. If the place in the 5 DE 3124 is not sufficient, the following RFF segments can be used, qualified with DE 1153 = GN. DE 1154 has got a capacity of 70 digits. Only in those cases, when no RFF segment follows NAD, a RFF+GN can be used

in the heading section of the message. Within the EDI recommendations of GS1 Germany this is only applicable for the messages REMADV and SLSFCT.

1. Introduction

Conventions

This brochure offers different ways to start:

Section 2, "Business Terms", is a table which links directly to the sequence numbers of the segments.

Section 3, "Message Structure Chart", is a list of all used segments in the same sequence as they are defined in the EANCOM® message. In general, for each piece of information one single segment is provided. Exceptions may arise when the occurrence of a segment is limited and can contain alternative information (e.g. segment BGM).

Section 4, "Branching Diagram", is a hierarchical graphic depiction of all used segments in the same sequence as they are defined in the EANCOM® message. However, every segment is shown only once, and it is therefore possible that the sequence numbering is interrupted.

Section 5, "Segments Description", is a brief summary of the use of each segment.

In **Section 6, "Segments Layout"**, an illustration that has been chosen to match the business terms (data from the in-house application) with the elements from the EANCOM® syntax.

Note on sections 6:

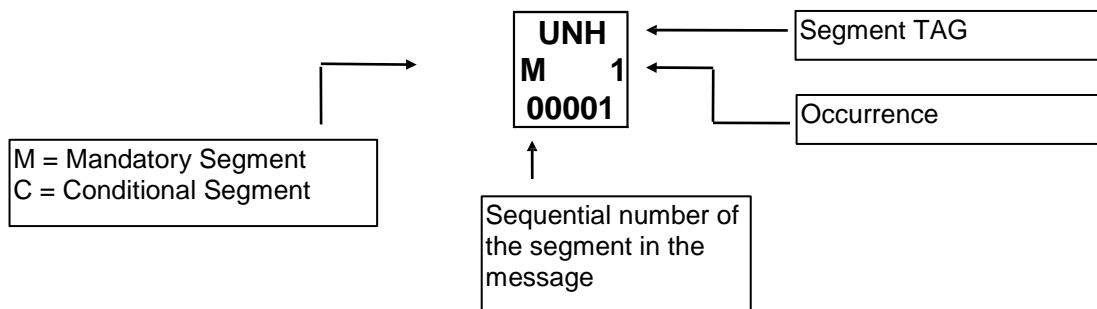
An additional column (GER) to provide a German status has been added to the layouts. An entry indicates that the recommended status differs from the EANCOM® status. If the recommended status is weaker than the EANCOM® status, the data element (or, if only one term exists the entire segment) can be omitted.

In general, code names are presented in red; these must to be understood as restricted and should not be changed/modified without bilateral agreement with the partner. If codes are given as examples, they are represented in blue (e.g., measurements). In this case, all codes of the relevant code list can be used.

Section 7, "Example(s)", provides at least one message example with comments. Please note that, for technical reasons, the examples can contain component data element separators, which would otherwise be represented as data element separators in the original messages.

1. Introduction

The following conventions apply to this brochure:



Business Term			EANCOM-Mapping		
Name	Format	Status	DEG	DE	Description
a	alphabetic character				
n	numeric character				
an	alphanumeric character				
a3	3 alphabetic characters, fixed length				
n3	3 numeric characters, fixed length				
an3	3 alphanumeric characters, fixed length				
a..3	up to 3 alphabetic characters				
n..3	up to 3 numeric characters				
an..3	up to 3 alphanumeric characters				
					Data element
					Data element group
					C = Conditional
					M = Mandatory
					R = Required
					D = Depending
					O = Optional
					A = Recommended
					N = Not used

1. Introduction

Message structure

Heading section

Specification of buyer and supplier, message date and number.

Detail section

Specification of GTIN to identify goods and services, and quantity.

Summary section

Specification of totals of the message.

Annex

If textiles on standard clothes hangers should be ordered, the type numbers can be found on the following pages. (See SG 34 in segments layout).

2. Business Terms

Term	EANCOM-Segment			Data element	
	No.	Segment	SG	DEG	DE
Acknowledgement request	2	UNB			0031
Address for reverse routing	2	UNB		S002	0008
Application reference	2	UNB			0026
Buyer's article number	110	PIA	SG28#3	C212	7140
Cancellation if not delivered	23	DTM		C507	2380
Cancellation if not delivered (line item)	130	DTM	SG28#3	C507	2380
Character set	2	UNB		S001	0001
Communication number	51	COM	SG2#2\SG5#1	C076	3148
Communication number receiver of goods/services	69	COM	SG2#8\SG5#1	C076	3148
Communication number ultimate consignee	80	COM	SG2#12\SG5#1	C076	3148
Component data element separator	1	UNA			UNA1
Contact person or department	50	CTA	SG2#2\SG5#1	C056	3413
Contact person or department receiver of goods/services	68	CTA	SG2#8\SG5#1	C056	3413
Contact person or department ultimate consignee	79	CTA	SG2#12\SG5#1	C056	3413
Country of receiver, coded	64	NAD	SG2#8		3207
Currency code	87	CUX	SG7#1	C504	6345
Data element separator	1	UNA			UNA2
Decimal notation	1	UNA			UNA3
Delivery date, earliest	16	DTM		C507	2380
Delivery date, latest	18	DTM		C507	2380
Delivery date, requested	12	DTM		C507	2380
Delivery date, requested (detail section)	126	DTM	SG28#3	C507	2380
EANCOM	2	UNB			0032
Earliest delivery day (Detail section)	127	DTM	SG28#3	C507	2380
End of the transmission file, Number of messages or message groups	171	UNZ			0036
File creation date	2	UNB		S004	0017
File creation time	2	UNB		S004	0019
GLN of the receiver of goods/ services	64	NAD	SG2#8	C082	3039
GLN of the ultimate consignee	77	NAD	SG2#12	C082	3039
GLN of the ultimate customer	74	NAD	SG2#11	C082	3039
GTIN	106	LIN	SG28#3	C212	7140
Identification of buyer/invoicee	45	NAD	SG2#2	C082	3039
Identification of invoicee	59	NAD	SG2#6	C082	3039
Identification of supplier	42	NAD	SG2#1	C082	3039
Identification of the receiver of the transmission file	2	UNB		S003	0010
Identification of the sender of the transmission file	2	UNB		S002	0004
Interchange control reference, beginning	2	UNB			0020
Interchange control reference, end	171	UNZ			0020
Labelling price	140	PRI	SG28#3\SG32#3	C509	5118
Latest delivery date (Detail section)	128	DTM	SG28#3	C507	2380
Line item number	106	LIN	SG28#3		1082
List price per ordered unit	138	PRI	SG28#3\SG32#1	C509	5118
Message reference number	3	UNH			0062
Name 1 of the receiver	64	NAD	SG2#8	C080	3036

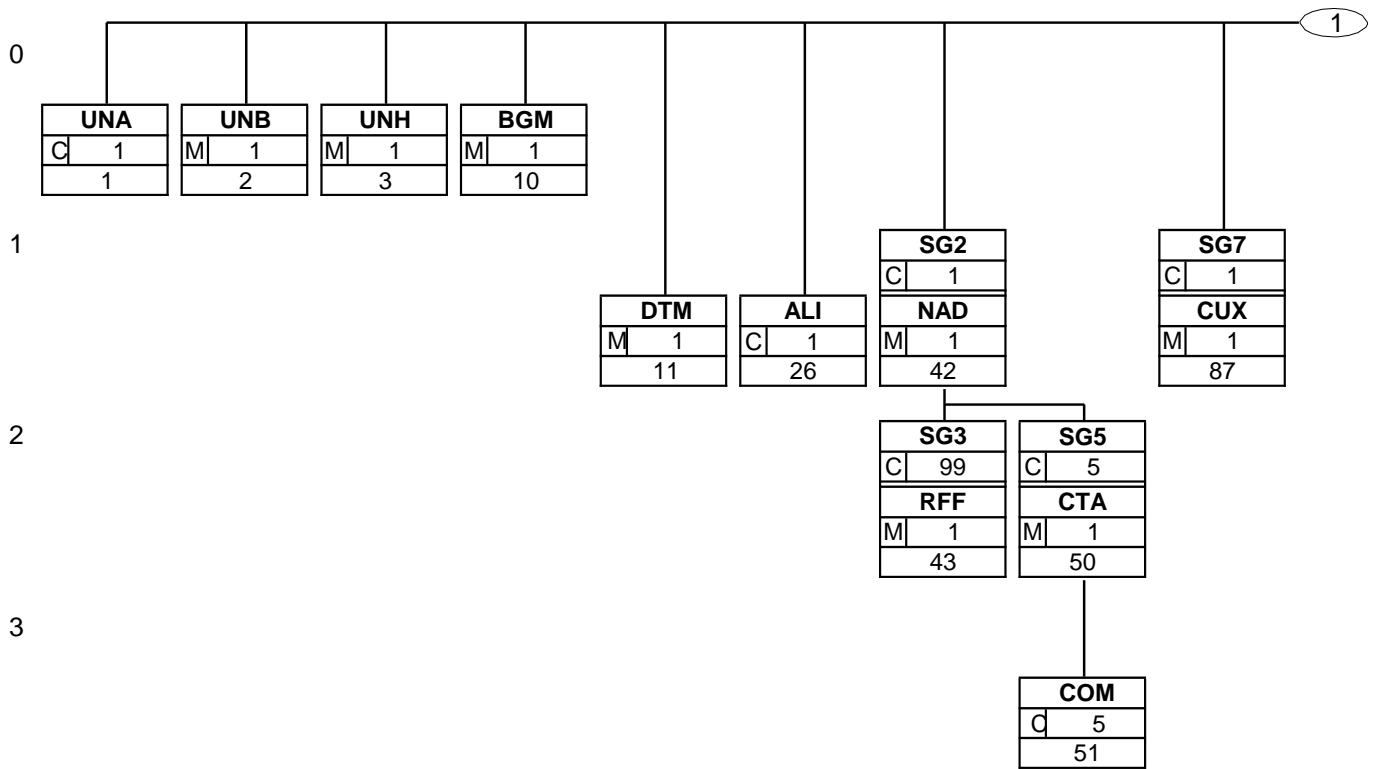
2. Business Terms

Term	EANCOM-Segment			Data element	
	No.	Segment	SG	DEG	DE
Name 1 of the ultimate consignee	77	NAD	SG2#12	C080	3036
Name 1 of the ultimate customer	74	NAD	SG2#11	C080	3036
Name 2 of the receiver	64	NAD	SG2#8	C080	3036
Name 2 of the ultimate consignee	77	NAD	SG2#12	C080	3036
Name 2 of the ultimate customer	74	NAD	SG2#11	C080	3036
Name 3 of the receiver	64	NAD	SG2#8	C080	3036
Name 3 of the ultimate consignee	77	NAD	SG2#12	C080	3036
Name 3 of the ultimate customer	74	NAD	SG2#11	C080	3036
Number of segments within a message	170	UNT			0074
Number type of waste	110	PIA	SG28#3	C212	7140
Order date (time)	11	DTM		C507	2380
Order number	10	BGM		C106	1004
Partial Order, Status	26	ALI			4183
Password interchange	2	UNB		S005	0022
Place of receiver - name of a city (town, village) for addressing purposes.	64	NAD	SG2#8		3164
Place of ultimate consignee - name of a city (town, village) for addressing purposes.	77	NAD	SG2#12		3164
Place of ultimate customer - name of a city (town, village) for addressing purposes.	74	NAD	SG2#11		3164
Postcode of receiver	64	NAD	SG2#8		3251
Postcode of ultimate consignee	77	NAD	SG2#12		3251
Postcode of ultimate customer	74	NAD	SG2#11		3251
Process variant, coded	10	BGM		C002	1000
Promotional variant number	110	PIA	SG28#3	C212	7140
Quantity	119	QTY	SG28#3	C186	6060
Release character	1	UNA			UNA4
Reserved for future use	1	UNA			UNA5
Routing address	2	UNB		S003	0014
Segment terminator	1	UNA			UNA6
Statements on business letters	43	RFF	SG2#1\SG3#1	C506	1154
Statements on business letters	46	RFF	SG2#2\SG3#1	C506	1154
Street and number of receiver	64	NAD	SG2#8	C059	3042
Street of ultimate consignee	77	NAD	SG2#12	C059	3042
Street of ultimate customer	74	NAD	SG2#11	C059	3042
Suggested retail price	139	PRI	SG28#3\SG32#2	C509	5118
Supplier's article number (secondary ident.)	110	PIA	SG28#3	C212	7140
Syntax version	2	UNB		S001	0002
Test indicator	2	UNB			0035
Type of order	10	BGM		C002	1001
Unit of measurement	119	QTY	SG28#3	C186	6411

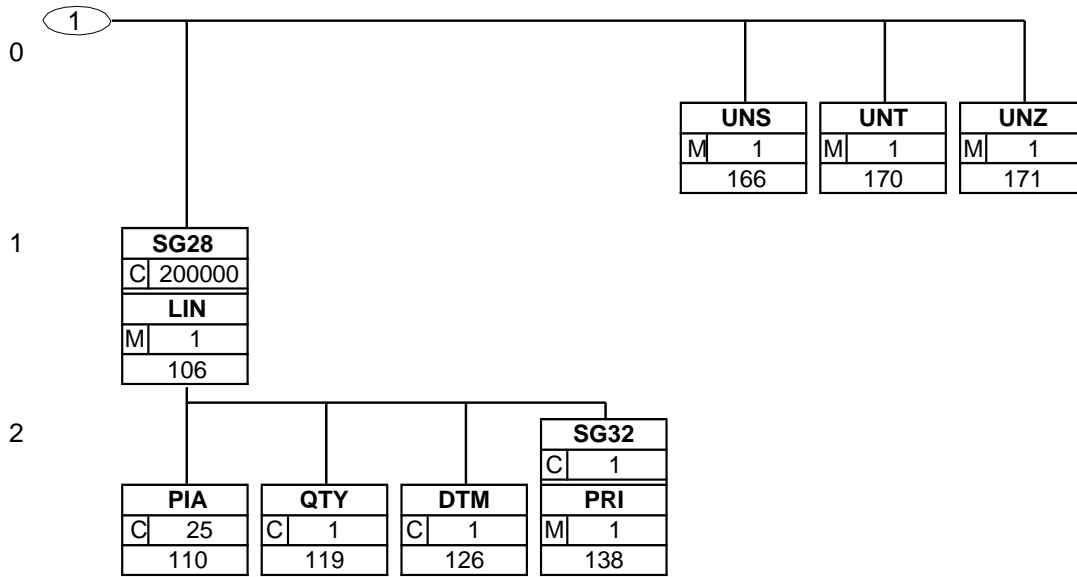
3. Message Structure Chart

UNA	1	C	1	- Used character set
UNB	2	M	1	- Beginning of transmission file
<u>Heading section</u>				
UNH	3	M	1	- Beginning of message
BGM	4	M	1	- Textile order
DTM	5	M	1	- Order date (time)
DTM	6	M	1	- Delivery date, requested
DTM	7	M	1	- Delivery date, earliest
DTM	8	M	1	- Delivery date, latest
DTM	9	M	1	- Cancellation if not delivered
ALI	10	C	1	- Partial order
SG2		C	1	- NAD-SG3
NAD	11	M	1	- Identification of supplier
SG3		C	99	- RFF
RFF	12	M	1	- Statements on business letters
SG2		C	1	- NAD-SG3-SG5
NAD	13	M	1	- Identification of buyer/invoicee
SG3		C	99	- RFF
RFF	14	M	1	- Statements on business letters
SG5		C	5	- CTA-COM
CTA	15	M	1	- Contact person or department
COM	16	C	5	- Communication number
SG2		C	1	- NAD
NAD	17	M	1	- Identification of invoicee
SG2		C	1	- NAD-SG5
NAD	18	M	1	- GLN of the receiver of goods/services
SG5		C	1	- CTA-COM
CTA	19	M	1	- Contact person or department receiver of goods/services
COM	20	C	5	- Communication number receiver of goods/services
SG2		C	1	- NAD
NAD	21	M	1	- GLN of the ultimate customer
SG2		C	1	- NAD-SG5
NAD	22	M	1	- GLN of the ultimate consignee
SG5		C	5	- CTA-COM
CTA	23	M	1	- Contact person or department ultimate consignee
COM	24	C	5	- Communication number ultimate consignee
SG7		C	1	- CUX
CUX	25	M	1	- Currency code
<u>Detail section</u>				
SG28		C	200000	- LIN-PIA-QTY-DTM-DTM-DTM-DTM-SG32-SG32-SG32
LIN	26	M	1	- GTIN article number
PIA	27	C	25	- Additional identification for the article number
QTY	28	C	1	- Quantity
DTM	29	C	1	- Delivery date/time, requested
DTM	30	C	1	- Earliest delivery day
DTM	31	C	1	- Latest delivery time
DTM	32	C	1	- Cancellation if not delivered (Position)
SG32		C	1	- PRI
PRI	33	M	1	- List price per ordered unit
SG32		C	1	- PRI
PRI	34	M	1	- Recommended Sale price
SG32		C	1	- PRI
PRI	35	M	1	- Label price
<u>Summary section</u>				
UNS	36	M	1	- Section control
UNT	37	M	1	- End of message
UNZ	38	M	1	- End of the transmission file

4. Branching Diagram



4. Branching Diagram



5. Segments Description

UNA - C 1	- Used character set The use of the UNA segment is mandatory, if character set "A" (UNB,DE0001) is not used.
UNB - M 1	- Beginning of transmission file This segment is used to envelope the interchange, as well as to identify both, the party to whom the interchange is sent and the party who has sent the interchange.
<u>Heading section</u>	
UNH - M 1	- Begin of message This segment is used to head, identify and specify a message.
BGM - M 1	- Textile order This segment is used to indicate the type and function of a message and to transmit the identifying number.
DTM - M 1	- Order date (time) This segment is used to specify the date of the order. Identification of the 'Document/message date/time' (code value 137) is mandatory in the purchase order message.
DTM - M 1	- Delivery date, requested This segment is used to specify, where required, requested dates concerning the delivery of goods.
DTM - M 1	- Delivery date, earliest This segment is used to specify, where required, requested dates concerning the delivery of goods.
DTM - M 1	- Delivery date, latest This segment is used to specify, where required, requested dates concerning the delivery of goods.
DTM - M 1	- Cancellation if not delivered This segment is used to specify, where required, requested dates concerning the delivery of goods.
ALI - C 1	- Partial order This segment is only used, to identify the status of partial order.
SG2 - C 1	- NAD-SG3
NAD - M 1	- Identification of supplier Within EANCOM it is mandatory to identify the supplier/manufacturer by Global Location Number (GLN).
SG3 - C 99	- RFF
RFF - M 1	- Statements on business letters This RFF segment may only be used if the preceding NAD has not enough space to fulfill the requirements of directive 2003/58/EG, article 4.
SG2 - C 1	- NAD-SG3-SG5
NAD - M 1	- Identification of buyer/invoicee Within EANCOM it is mandatory to identify the buyer/invoicee by Global Location Number (GLN).
SG3 - C 99	- RFF
RFF - M 1	- Statements on business letters This RFF segment may only be used if the preceding NAD has not enough space to fulfill the requirements of directive 2003/58/EG, article 4.
SG5 - C 5	- CTA-COM

5. Segments Description

- CTA - M 1** - **Contact person or department**
For possible check back this segment can provide a person to turn to.
- COM - C 5** - **Communication number**
Communication contact of the person to turn to.
- SG2 - C 1** - **NAD**
- NAD - M 1** - **Identification of invoicee**
Within EANCOM it is mandatory to identify the invoicee by Global Location Number (GLN). This specification is only necessary, if the buyer differs from the invoicee.
- SG2 - C 1** - **NAD-SG5**
- NAD - M 1** - **GLN of the receiver of goods/services**
This NAD segment always identifies the first delivery place.
- SG5 - C 1** - **CTA-COM**
- CTA - M 1** - **Contact person or department receiver of goods/services**
For possible check back this segment can provide a person to turn to.
- COM - C 5** - **Communication number receiver of goods/services**
Communication contact of the person to turn to.
- SG2 - C 1** - **NAD**
- NAD - M 1** - **GLN of the ultimate customer**
This NAD segment is used to specify name and address of the ultimate consignee, e.g. receiver of a swimming pool.
- SG2 - C 1** - **NAD-SG5**
- NAD - M 1** - **GLN of the ultimate consignee**
This NAD segment is used to specify name and address of the ultimate consignee. If the warehouse is the delivery party (DE 3035 = DP) and the consignment is addressed to a specific outlet, that outlet is identified as ultimate consignee.
- SG5 - C 5** - **CTA-COM**
- CTA - M 1** - **Contact person or department ultimate consignee**
For possible check back this segment can provide a person to turn to.
- COM - C 5** - **Communication number ultimate consignee**
Communication contact of the person to turn to.
- SG7 - C 1** - **CUX**
- CUX - M 1** - **Currency code**
This segment is used to indicate currency specification for the entire order.

Detail section

- SG28 - C 200000** - **LIN-PIA-QTY-DTM-DTM-DTM-DTM-SG32-SG32-SG32**
- LIN - M 1** - **GTIN article number**
The LIN-segment is used to specify the item being ordered.
- PIA - C 25** - **Additional identification for the article number**
This segment is used to specify additional item identification such as buyer's or seller's item number.
- QTY - C 1** - **Quantity**
The QTY segment is used to specify the order quantity for the current order item, which was identified in the LIN segment.

5. Segments Description

- DTM - C 1** - **Delivery date/time, requested**
The DTM segment is used to specify date and/or time or time period. If this DTM segment is used at detail section, the specification from the heading section is overwritten.
- DTM - C 1** - **Earliest delivery day**
The DTM segment is used to specify date and/or time or time period. If this DTM segment is used here at detail section, the specification from the heading section is overwritten.
- DTM - C 1** - **Latest delivery time**
The DTM segment is used to specify date and/or time or time period. If this DTM segment is used here at detail section, the specification from the heading section is overwritten.
- DTM - C 1** - **Cancellation if not delivered (Position)**
This segment is used to specify, where required, requested dates concerning the delivery of goods.
- SG32 - C 1** - **PRI**
PRI - M 1 - **List price per ordered unit**
This segment contains the list price in the currency, specified in the header section to the current product, which was identified in the LIN segment.
- SG32 - C 1** - **PRI**
PRI - M 1 - **Recommended Sale price**
This segment can be used to indicate the retail price.
- SG32 - C 1** - **PRI**
PRI - M 1 - **Label price**
This segment is used if the supplier is requested by the customer to do the price labelling. The currency indicated in the heading section is valid.

Summary section

- UNS - M 1** - **Section control**
This segment is used to separate the detail and summary section of the message.
- UNT - M 1** - **End of message**
This segment is a mandatory UN/EDIFACT segment. It must always be the last segment in the message.
- UNZ - M 1** - **End of the transmission file**
The UNZ segment is the last segment of the transmission file.

6. Segments Layout

Segment number: 1

UNA - C 1 - Service string advice						
Description: To define the characters selected for use as delimiters and indicators in the rest of the interchange that follows.						
Business Term	DE	EDIFACT	EAN	*	GER	Description
Component data element separator	UNA1	M an1	M			Default value: ":"
Data element separator	UNA2	M an1	M			Default value: "+"
Decimal notation	UNA3	M an1	M			Default value: "."
Release character	UNA4	M an1	M			Default value: "?"
Reserved for future use	UNA5	M an1	M			(Default value: space)
Segment terminator	UNA6	M an1	M			Default value: "' '
Segment notes: The use of the UNA segment is mandatory, if character set "A" (UNB,DE0001) is not used. For international EDI the use of character set UNOA is recommended. For national (German) EDI the use of UNOC is reasonable because it contains lower case letters and umlauts. Example: UNA:+.? ' The UNA segment contains the default service string characters.						

6. Segments Layout

Segment number: 2

UNB - M 1 - Interchange header						
Description: To start, identify and specify an interchange.						
Business Term	DE	EDIFACT	EAN	*	GER	Description
	S001	M	M			
Character set	0001	Ma4	M			UNOA = UN/ECE level A UNOB = UN/ECE level B UNOC = UN/ECE level C UNOD = UN/ECE level D UNOE = UN/ECE level E UNOF = UN/ECE level F
Syntax version	0002	Mn1	M			3 = Version 3
	S002	M	M			
Identification of the sender of the transmission file	0004	Man..35	M			= Global Location Number (GLN)
	0007	Can..4	C			14 = GS1
Address for reverse routing	0008	Can..14	C			See note
	S003	M	M			
Identification of the receiver of the transmission file	0010	Man..35	M			= Global Location Number (GLN)
	0007	Can..4	C			14 = GS1
Routing address	0014	Can..14	C			See note
	S004	M	M			
File creation date	0017	Mn6	M			= Date format JJMMTT
File creation time	0019	Mn4	M			= Time format HHMM
Interchange control reference, beginning	0020	Man..14	M			= Unique senders reference
	S005	C	C			
Password interchange	0022	Man..14	M			
	0025	Can2	C			AA = Reference BB = Password
Application reference	0026	Can..14	C			Message type if the transmission file contains only one message type
	0029	Ca1	C			A = Highest priority
Acknowledgement request	0031	Cn1	C			
EANCOM	0032	Can..35	C		R	= EANCOM... EDIFACT subset identification (see note)
Test indicator	0035	Cn1	C			1 = Interchange is a test
Segment notes:						
Segment status: Mandatory						
This segment is used to envelope the interchange, as well as to identify both, the party to whom the interchange is sent and the party who has sent the interchange.						
For international EDI the use of character set UNOA is recommended. For national (German) EDI the use of UNOC is reasonable because it contains lower case letters and umlauts.						

6. Segments Layout

Segment number: 2

The address for reverse routing is provided by the interchange sender to inform the interchange recipient of the address within the sender's (source) system to which responding interchanges must be sent. It is recommended that the GLN be used for this purpose.

Note DE 0014:

The routing address is used to identify the receiver, if a provider adds service values for the actual receiver (e.g. consolidated companies, corporate group). The use of the identification system (e.g. GLN) has to be agreed bilaterally.

Note DE 0020:

This data element must contain a consistent sequential number per interchange between sender and receiver of the transmission.

Note DE 0032:

This data element is used to identify any underlying agreements which control the exchange of data. Within EANCOM, the identity of such agreements must start with the letters 'EANCOM', the remaining characters within the data element being filled according to bilateral agreements.

Example: UNB+UNOC:3+4012345000009:14:4012345000018+4000004000002:14:4000004000099+101013:1043+4711+REF:AA++++EANCOM+1'

The EANCOM file 4711 dated 13.10.2010, 10 h 43 is sent by the issuer identified with GLN 4012345000009 to the receiver identified with GLN 4000004000002.

6. Segments Layout

Heading section

Segment number: 3

UNH - M 1 - Message header						
Description: To head, identify and specify a message.						
Business Term	DE	EDIFACT	EAN	*	GER	Description
Message reference number	0062	M an..14	M			Sender's unique message reference. Sequence number of messages in the interchange. DE 0062 in UNT will have the same value. Generated by the sender.
	S009	M	M			
	0065	M an..6	M	*		ORDERS = Purchase order message
	0052	M an..3	M	*		D = Draft version/UN/EDIFACT Directory
	0054	M an..3	M	*		01B = Release 2001 - B
	0051	M an..2	M	*		UN = UN/CEFACT
	0057	C an..6	C	*		EAN010 = GS1 version control number (GS1 Code)
Segment notes:						
Segment status: Mandatory						
This segment is used to head, identify and specify a message.						
Example: UNH+ME0001+ORDERS:D:01B:UN:EAN010' The reference number of the ORDERS message is ME0001.						

6. Segments Layout

Heading section

Segment number: 4

BGM - M 1 - Beginning of message						
Description: To indicate the type and function of a message and to transmit the identifying number.						
Business Term	DE	EDIFACT	EAN	*	GER	Description
	C002	C	C		R	
Type of order	1001	C an..3	C	*	R	220 = Order 224 = Rush order 227 = Consignment order 22E = Manufacturer raised order (GS1 Code)
	1131	C an..17	C			
	3055	C an..3	C	*		9 = GS1
Process variant, coded	1000	C an..35	C			This data element indicates the variant of the process model textile: "Business Model" on the website of GS1 Netherlands
	C106	C	C			
Order number	1004	C an..35	C			Order number assigned by document sender
	1225	C an..3	C	*		9 = Original 31 = Copy
Segment notes:						
Segment status: Mandatory						
This segment is used to indicate the type and function of a message and to transmit the identifying number.						
Notes to DE 1001:						
220 = Order Document/message by means of which a buyer initiates a transaction with a seller involving the supply of goods or services as specified, according to conditions set out in an offer, or otherwise known to the buyer.						
224 = Rush Order Document/message for urgent ordering.						
227 = Consignment Order Order to deliver goods into stock with agreement on payment when goods are sold out of this stock. Note: The order qualifier ACN = consignment order, no is not used.						
22E = Manufacturer raised order (GS1 Code) Document/message providing details of an order which has been raised by a manufacturer.						
Example: BGM+220:::FM200+128576+9' The document number is 128576 for the business type "consignment store level".						

6. Segments Layout

Heading section

Segment number: 5

DTM - M 1 - Date/time/period						
Description: To specify date, and/or time, or period.						
Business Term	DE	EDIFACT	EAN	*	GER	Description
	C507	M	M			
	2005	Man..3	M	*		137 = Document/message date/time
Order date (time)	2380	C an..35	C			
	2379	C an..3	C			102 = CCYYMMDD 203 = CCYYMMDDHHMM
Segment notes:						
Segment status: Mandatory						
This segment is used to specify the date of the order. Identification of the 'Document/message date/time' (code value 137) is mandatory in the purchase order message.						
Example: DTM+137:20151024:102' Date of order is 24.10.2015.						

6. Segments Layout

Heading section

Segment number: 6

DTM - M 1 - Date/time/period						
Description: To specify date, and/or time, or period.						
Business Term	DE	EDIFACT	EAN	*	GER	Description
	C507	M	M			
	2005	Man..3	M	*		2 = Delivery date/time, requested
Delivery date, requested	2380	C an..35	C			
	2379	C an..3	C			102 = CCYYMMDD 203 = CCYYMMDDHHMM 718 = CCYYMMDD-CCYYMMDD 719 = CCYYMMDDHHMM- CCYYMMDDHHMM Format of period to be given in actual message without hyphen.
Segment notes: Segment status: Conditional This segment is used to specify, where required, requested dates concerning the delivery of goods. DE 2005 = 2, Date on which buyer requests goods to be delivered. Note to DE 2005: The use of this code value excludes the use of code values 63 and 64. Example: DTM+2:20151028:102' Requested delivery date is 28.10.2015.						

6. Segments Layout

Heading section

Segment number: 7

DTM - M 1 - Date/time/period						
Description: To specify date, and/or time, or period.						
Business Term	DE	EDIFACT	EAN	*	GER	Description
	C507	M	M			
	2005	Man..3	M	*		64 = Delivery date/time, earliest
Delivery date, earliest	2380	C an..35	C			
	2379	C an..3	C			102 = CCYYMMDD 203 = CCYYMMDDHHMM
Segment notes:						
Segment status: Conditional						
This segment is used to specify, where required, requested dates concerning the delivery of goods.						
Note to DE 2005: The use of this code value excludes the use of code value 2.						
Example: DTM+64:201510230800:203' The earliest delivery date/time is 23.10.2015 at 8.00 a.m.						

6. Segments Layout

Heading section

Segment number: 8

DTM - M 1 - Date/time/period						
Description: To specify date, and/or time, or period.						
Business Term	DE	EDIFACT	EAN	*	GER	Description
	C507	M	M			
	2005	Man..3	M	*		63 = Delivery date/time, latest
Delivery date, latest	2380	C an..35	C			
	2379	C an..3	C			102 = CCYYMMDD 203 = CCYYMMDDHHMM
Segment notes:						
Segment status: Conditional						
This segment is used to specify, where required, requested dates concerning the delivery of goods.						
Note to DE 2005: The use of this code value excludes the use of code values 2.						
Example: DTM+63:201510291500:203' The latest delivery date/time is 29.10.2015 at 3.00 p.m.						

6. Segments Layout

Heading section

Segment number: 9

DTM - M 1 - Date/time/period						
Description: To specify date, and/or time, or period.						
Business Term	DE	EDIFACT	EAN	*	GER	Description
	C507	M	M			
	2005	Man..3	M	*		61 = Cancel if not delivered by this date
Cancellation if not delivered	2380	C an..35	C			
	2379	C an..3	C			102 = CCYYMMDD 203 = CCYYMMDDHHMM
Segment notes: Segment status: Conditional This segment is used for the cancellation of the order, if not delivered until the date requested. This segment is used to specify, where required, requested dates concerning the delivery of goods. Example: DTM+61:201510230800:203' The example request the cancellation if not delivered until 23.10.2015 at 8.00 a.m.						

6. Segments Layout

Heading section

Segment number: 10

ALI - C 1 - Additional information						
Description: To indicate that special conditions due to the origin, customs preference, fiscal or commercial factors are applicable.						
Business Term	DE	EDIFACT	EAN	*	GER	Description
	3239	C an..3	C		N	
	9213	C an..3	C		N	
Partial Order, Status	4183	C an..3	C		R	X1 = No back orders when partial delivery (GS1 Code) X2 = Back orders accepted when partial delivery (GS1 Code) 144 = Deliver full order
Segment notes: Segment status: Conditional This segment is only used, to identify the status of partial order. This indication is valid for all articles of the entire order. Example: ALI+++X2' Partial order allowed						

6. Segments Layout

Heading section

Segment number: 11

SG2	- C	1 - NAD-SG3				
NAD	- M	1 - Name and address				
Description:						
To specify the name/address and their related function, either by C082 only and/or unstructured by C058 or structured by C080 thru 3207.						
Business Term	DE	EDIFACT	EAN	*	GER	Description
	3035	M an..3	M			SU = Supplier
	C082	C	C			
Identification of supplier	3039	M an..35	M			Global Location Number (GLN) - Format n13
	1131	C an..17	C			
	3055	C an..3	C	*		9 = GS1
	C058	C	C			This composite may only be used to fulfill the requirements of directive 2003/58/EG, article 4. If applicable the message sender gets the possibility to give the relevant statements at this place. If C058 ist not sufficient, more declaration can be given in following RFF+GN... segments.
	3124	M an..35	M			
	3124	C an..35	C			
	3124	C an..35	C			
	3124	C an..35	C			
	3124	C an..35	C			
Segment notes:						
Segment status: Mandatory						
Within EANCOM it is mandatory to identify the supplier/manufacturer by Global Location Number (GLN).						
Example: NAD+SU+4012345000009::9+X:X:X:X'						
The supplier/manufacturer is identified by Global Location Number (GLN) 4012345000009.						

6. Segments Layout

Heading section

Segment number: 12

SG2	- C	1 - NAD-SG3				
SG3	- C	99 - RFF				
RFF	- M	1 - Reference				
Description: To specify a reference.						
Business Term	DE	EDIFACT	EAN	*	GER	Description
	C506	M	M			
	1153	Man..3	M			GN = Government reference number
Statements on business letters	1154	C an..70	C			
Segment notes:						
Segment status: Depending						
This RFF segment may only be used if the preceding NAD has not enough space to fulfill the requirements of directive 2003/58/EG, article 4.						
Example: RFF+GN:HRB-471111' German statements on business letters: HRB-471111						

6. Segments Layout

Heading section

Segment number: 13

SG2	- C	1 - NAD-SG3-SG5				
NAD	- M	1 - Name and address				
Description: To specify the name/address and their related function, either by C082 only and/or unstructured by C058 or structured by C080 thru 3207.						
Business Term	DE	EDIFACT	EAN	*	GER	Description
	3035	M an..3	M			BY = Buyer
	C082	C	C			
Identification of buyer/ invoictee	3039	M an..35	M			Global Location Number (GLN) - Format n13
	1131	C an..17	C			
	3055	C an..3	C	*		9 = GS1
	C058	C	C			This composite may only be used to fulfill the requirements of directive 2003/58/EG, article 4. If applicable the message sender gets the possibility to give the relevant statements at this place. If C058 is not sufficient, more declaration can be given in following RFF+GN... segments.
	3124	M an..35	M			
	3124	C an..35	C			
	3124	C an..35	C			
	3124	C an..35	C			
	3124	C an..35	C			
Segment notes: Segment status: Mandatory Within EANCOM it is mandatory to identify the buyer/invoictee by Global Location Number (GLN). Example: NAD+BY+4398765000004::9+X:X:X:X' The order is generated by a buyer with the Global Location Number (GLN) 4398765000004.						

6. Segments Layout

Heading section

Segment number: 14

SG2	- C	1 - NAD-SG3-SG5				
SG3	- C	99 - RFF				
RFF	- M	1 - Reference				
Description: To specify a reference.						
Business Term	DE	EDIFACT	EAN	*	GER	Description
	C506	M	M			
	1153	Man..3	M			GN = Government reference number
Statements on business letters	1154	C an..70	C			
Segment notes:						
Segment status: Depending						
This RFF segment may only be used if the preceding NAD has not enough space to fulfill the requirements of directive 2003/58/EG, article 4.						
Example: RFF+GN:HRB-471111' German statements on business letters: HRB-471111						

6. Segments Layout

Heading section

Segment number: 15

SG2	- C	1 - NAD-SG3-SG5				
SG5	- C	5 - CTA-COM				
CTA	- M	1 - Contact information				
Description: To identify a person or a department to whom communication should be directed.						
Business Term	DE	EDIFACT	EAN	*	GER	Description
	3139	C an..3	C		R	PD = Purchasing contact OC = Order contact
	C056	C	C			
Contact person or department	3413	C an..17	C			
Segment notes: Segment status: Conditional For possible check back this segment can provide a person to turn to. Example: CTA+PD+Claus Früh' Buyers contact person is Claus Früh.						

6. Segments Layout

Heading section

Segment number: 16

SG2	- C	1 - NAD-SG3-SG5				
SG5	- C	5 - CTA-COM				
COM	- C	5 - Communication contact				
Description: To identify a communication number of a department or a person to whom communication should be directed.						
Business Term	DE	EDIFACT	EAN	*	GER	Description
	C076	M	M			
Communication number	3148	Man..512	M			
	3155	Man..3	M			EM = Electronic mail FX = Fax TE = Telephone XF = X.400
Segment notes: Segment status: Conditional Communication contact of the person to turn to. Example: COM+ früh@kölsch.de:EM' E-mail of Mr. Früh is früh@kölsch.de						

6. Segments Layout

Heading section

Segment number: 17

SG2	- C	1 - NAD-SG3				
NAD	- M	1 - Name and address				
Description: To specify the name/address and their related function, either by C082 only and/or unstructured by C058 or structured by C080 thru 3207.						
Business Term	DE	EDIFACT	EAN	*	GER	Description
	3035	M an..3	M			IV = Invoicee
	C082	C	C			
Identification of invoicee	3039	M an..35	M			Global Location Number (GLN) - Format n13
	1131	C an..17	C			
	3055	C an..3	C	*		9 = GS1
Segment notes: Segment status: Depending Within EANCOM it is mandatory to identify the invoicee by Global Location Number (GLN). This specification is only necessary, if the buyer differs from the invoicee. Example: NAD+IV+4012345000009::9' The invoicee is identified by Global Location Number (GLN) 4012345000009.						

6. Segments Layout

Heading section

Segment number: 18

SG2	- C	1 - NAD-SG3-SG5				
NAD	- M	1 - Name and address				
Description:						
To specify the name/address and their related function, either by C082 only and/or unstructured by C058 or structured by C080 thru 3207.						
Business Term	DE	EDIFACT	EAN	*	GER	Description
	3035	M an..3	M			DP = Delivery party
	C082	C	C		D	
GLN of the receiver of goods/ services	3039	M an..35	M			Global Location Number (GLN) - Format n13
	1131	C an..17	C			
	3055	C an..3	C	*		9 = GS1
	C058	C	N		N	
	3124	M an..35	M			
	C080	C	C			
Name 1 of the receiver	3036	M an..35	M			
Name 2 of the receiver	3036	C an..35	C		D	
Name 3 of the receiver	3036	C an..35	C		D	
	C059	C	C			
Street and number of receiver	3042	M an..35	M			
Place of receiver	3164	C an..35	C			
	C819	C	N			
	3229	C an..9	C			
Postcode of receiver	3251	C an..17	C			
Country of receiver, coded	3207	C an..3	C			ISO 3166 two alpha code E.g.: DE = GERMANY
Segment notes:						
Segment status: Mandatory						
This NAD segment always identifies the first delivery place.						
The NAD segment is used to specify names, address and function of a partner, either only by data element group C082 and/or in structure form by data element group C080 to 3707.						
Use of GLN, the specification of the Global Location Number is sufficient. For receivers, who do not have a GLN, the address is indicated as clear text. The group C082 remains empty in this case. If the GLN of the delivery party is not known (e.g. pick up by third party), the GLN of the buyer is indicated in DE3039.						
Example: NAD+DP+4399899175941::9++Trichter Hasen+Bussardweg 5+Leopardshöhle++33818+DE'						
The receiver is identified by Global Location Number (GLN) 4399899175941. An address in clear text is only allowed in exceptional cases.						

6. Segments Layout

Heading section

Segment number: 19

SG2	- C	1 - NAD-SG3-SG5
SG5	- C	1 - CTA-COM
CTA	- M	1 - Contact information

Description:

To identify a person or a department to whom communication should be directed.

Business Term	DE	EDIFACT	EAN	*	GER	Description
	3139	C an..3	C		R	PD = Purchasing contact
	C056	C	C			
Contact person or department receiver of goods/services	3413	C an..17	C			

Segment notes:

Segment status: Conditional

For possible check back this segment can provide a person to turn to.

Example: CTA+PD+Claus Früh'
Contact person is Claus Früh.

6. Segments Layout

Heading section

Segment number: 20

SG2	- C	1 - NAD-SG3-SG5
SG5	- C	1 - CTA-COM
COM	- C	5 - Communication contact

Description:

To identify a communication number of a department or a person to whom communication should be directed.

Business Term	DE	EDIFACT	EAN	*	GER	Description
	C076	M	M			
Communication number receiver of goods/services	3148	Man..512	M			
	3155	Man..3	M			EM = Electronic mail FX = Fax TE = Telephone XF = X.400

Segment notes:

Segment status: Conditional

Communication contact of the person to turn to.

Example: COM+ früh@kölsch.de:EM'
E-mail of Mr. Früh is früh@kölsch.de

6. Segments Layout

Heading section

Segment number: 21

SG2	- C	1 - NAD-SG5				
NAD	- M	1 - Name and address				
Description:						
To specify the name/address and their related function, either by C082 only and/or unstructured by C058 or structured by C080 thru 3207.						
Business Term	DE	EDIFACT	EAN	*	GER	Description
	3035	M an..3	M			UD = Ultimate customer
	C082	C	C		D	
GLN of the ultimate customer	3039	M an..35	M			Global Location Number (GLN) - Format n13
	1131	C an..17	C			
	3055	C an..3	C	*		9 = GS1
	C058	C	N		N	
	3124	M an..35	M			
	C080	C	C			
Name 1 of the ultimate customer	3036	M an..35	M			
Name 2 of the ultimate customer	3036	C an..35	C		D	
Name 3 of the ultimate customer	3036	C an..35	C		D	
	C059	C	C			
Street of ultimate customer	3042	M an..35	M			
Place of ultimate customer	3164	C an..35	C			
	C819	C	N			
	3229	C an..9	C			
Postcode of ultimate customer	3251	C an..17	C			
	3207	C an..3	C			ISO 3166 two alpha code E.g.: DE = GERMANY
Segment notes:						
Segment status: Conditional						
This NAD segment is used to specify name and address of the ultimate customer, e.g. receiver of a swimming pool.						
Use of the GLN, the specification of the Global Location Number is sufficient. For ultimate customers, who do not have a GLN, the address is indicated as clear text. The group C082 remains empty in this case.						
Example: NAD+UD+4399899175941::9++Trichter Hasen+Bussardweg 5+Leopardshöhle++338 18+DE' The ultimate customer is identified by Global Location Number (GLN) 4399899175941. An address in clear text is only allowed in exceptional cases.						

6. Segments Layout

Heading section

Segment number: 22

SG2	- C	1 - NAD-SG3-SG5				
NAD	- M	1 - Name and address				
Description: To specify the name/address and their related function, either by C082 only and/or unstructured by C058 or structured by C080 thru 3207.						
Business Term	DE	EDIFACT	EAN	*	GER	Description
	3035	M an..3	M			UC = Ultimate consignee
	C082	C	C		D	
GLN of the ultimate consignee	3039	M an..35	M			Global Location Number (GLN) - Format n13
	1131	C an..17	C			
	3055	C an..3	C	*		9 = GS1
	C058	C	N		N	
	3124	M an..35	M			
	C080	C	C			
Name 1 of the ultimate consignee	3036	M an..35	M			
Name 2 of the ultimate consignee	3036	C an..35	C		D	
Name 3 of the ultimate consignee	3036	C an..35	C		D	
	C059	C	C			
Street of ultimate consignee	3042	M an..35	M			
Place of ultimate consignee	3164	C an..35	C			
	C819	C	N			
	3229	C an..9	C			
Postcode of ultimate consignee	3251	C an..17	C			
	3207	C an..3	C			ISO 3166 two alpha code DE = GERMANY

Segment notes:

Segment status: Conditional

This NAD segment is used to specify name and address of the ultimate consignee. If the warehouse is the delivery party (DE 3035 = DP) and the consignment is addressed to a specific outlet, that outlet is identified as ultimate consignee.

Use of the GLN, the specification of the Global Location Number is sufficient. For ultimate consignees, who do not have a GLN, the address is indicated as clear text. The group C082 remains empty in this case.

Example: NAD+UC+4399899175941::9++Trichter Hasen+Bussardweg 5+Leopardshöhle++338
18+DE'

The ultimate consignee is identified by Global Location Number (GLN) 4399899175941. An address in clear text is only allowed in exceptional cases.

6. Segments Layout

Heading section

Segment number: 23

SG2	- C	1 - NAD-SG3-SG5				
SG5	- C	5 - CTA-COM				
CTA	- M	1 - Contact information				
Description: To identify a person or a department to whom communication should be directed.						
Business Term	DE	EDIFACT	EAN	*	GER	Description
	3139	C an..3	C		R	OC = Order contact
	C056	C	C			
Contact person or department ultimate consignee	3413	C an..17	C			
Segment notes: Segment status: Conditional For possible check back this segment can provide a person to turn to. Example: CTA+OC+Claus Früh' Contact person is Claus Früh.						

6. Segments Layout

Heading section

Segment number: 24

SG2	- C	1 - NAD-SG3-SG5
SG5	- C	5 - CTA-COM
COM	- C	5 - Communication contact

Description:

To identify a communication number of a department or a person to whom communication should be directed.

Business Term	DE	EDIFACT	EAN	*	GER	Description
	C076	M	M			
Communication number ultimate consignee	3148	Man..512	M			
	3155	Man..3	M			EM = Electronic mail FX = Fax TE = Telephone XF = X.400

Segment notes:

Segment status: Conditional

Communication contact of the person to turn to.

Example: COM+ früh@kölsch.de:EM'
E-mail of Mr. Früh is früh@kölsch.de

6. Segments Layout

Heading section

Segment number: 25

SG7	- C	1 - CUX				
CUX	- M	1 - Currencies				
Description: To specify currencies used in the transaction and relevant details for the rate of exchange.						
Business Term	DE	EDIFACT	EAN	*	GER	Description
	C504	C	C			
	6347	Man..3	M	*		2 = Reference currency
Currency code	6345	C an..3	C			ISO 4217 3-Alpha Code
	6343	C an..3	C	*		9 = Order currency
Segment notes: Segment status: Conditional This segment is used to indicate currency specification for the entire order. Example: CUX+2:EUR:9' Order Currency is EURO						

6. Segments Layout

Detail section

Segment number: 26

SG28	- C	200000	- LIN-PIA-IMD-MEA-QTY-ALI-DTM-GIN-FTX-SG32-SG33-SG34-SG37-SG39-SG43
LIN	- M	1	- Line item
Description: To identify a line item and configuration.			
Business Term	DE	EDIFACT	EAN * GER Description
Line item number	1082	C an..6	C Application generated line item number
	1229	C an..3	C
	C212	C	C
GTIN	7140	C an..35	C GTIN, Format n..14
	7143	C an..3	C * SRV = GS1 Global Trade Item Number
Segment notes: Segment status: Mandatory The LIN-segment is used to specify the item being ordered. In this segment the GTIN is indicated as item identification. The detail section always starts with the LIN-segment. Example: LIN+3++4000004000033:SRV' The ordered item with the item number 3 is identified by GTIN 4000004000035.			

6. Segments Layout

Detail section

Segment number: 27

SG28	- C	200000	- LIN-PIA-IMD-MEA-QTY-ALI-DTM-GIN-FTX-SG32-SG33-SG34-SG37-SG39-SG43	
PIA	- C	25	- Additional product id	
Description: To specify additional or substitutional item identification codes.				
Business Term	DE	EDIFACT	EAN * GER	Description
	4347	M an..3	M *	1 = Additional identification
	C212	M	M	
Supplier's article number (secondary ident.)	7140	C an..35	C	
	7143	C an..3	C	SA = Supplier's article number
	1131	C an..17	C	
	3055	C an..3	C	91 = Assigned by supplier or supplier's agent
	C212	C	C	
Buyer's article number	7140	C an..35	C	
	7143	C an..3	C	IN = Buyer's item number
	1131	C an..17	C	
	3055	C an..3	C	92 = Assigned by buyer or buyer's agent
	C212	C	C	
Promotional variant number	7140	C an..35	C	
	7143	C an..3	C	PV = Promotional variant number
	1131	C an..17	C	
	3055	C an..3	C	9 = GS1 91 = Assigned by supplier or supplier's agent
	C212	C	C	
Number type of waste	7140	C an..35	C	
	7143	C an..3	C	EWC European Waste Catalogue European Waste Catalogue EWC = European Waste Catalogue (GS1 code)
	1131	C an..17	C	
	3055	C an..3	C	2 = CEC (Commission of the European Communities)

Segment notes:

Segment status: Conditional

This segment is used to specify additional item identification such as buyer's or seller's item number.

Promotion orders and normal purchase orders should be separated. If the order contains both types of business cases, this segment is used to identify promotional products.

DE 7143 = PV, Promotional variant number: The number, which completes the identification code of a product, identifies this product as a variant of the standard product. The specification is necessary, if the variant differs only slightly and does not justify a modification of the main identification code.

6. Segments Layout

Detail section

Segment number: 27

DE 7140 type of waste: The code list of the European Union commission (for waste commission 11) is used, e.g. 91201 = packing material and cardboard boxes

Note to DE 3055: This data element will only be used, if DE 7140 does not contain a GTIN.

Example: PIA+1+1230815:SA::91+563985:IN::92+4000004000035:PV::9+91201:EWC::2'
The suppliers article number is 1230815, the buyers article number is 563985, GTIN 4000004000035 is a promotional variant, the type of waste is 91201.

6. Segments Layout

Detail section

Segment number: 28

SG28	- C	200000	- LIN-PIA-IMD-MEA-QTY-ALI-DTM-GIN-FTX-SG32-SG33-SG34-SG37-SG39-SG43
QTY	- C	1	- Quantity
Description: To specify a pertinent quantity.			
Business Term	DE	EDIFACT	EAN * GER Description
	C186	M	M
	6063	Man..3	M * 21 = Ordered quantity
Quantity	6060	Man..35	M Use only numeric values.
Unit of measurement	6411	C an..3	C KGM = kilogram MTR = metre LTR = litre All code values of the codes list are allowed
Segment notes:			
Segment status: Mandatory			
The QTY segment is used to specify the order quantity for the current order item, which was identified in the LIN segment.			
DE 6411 is only used, if the article is a variable quantity article. Default value is piece.			
Example: QTY+21:20' The ordered quantity amounts to 20 pieces of the article no. described in the LIN segment. (GTIN).			

6. Segments Layout

Detail section

Segment number: 29

SG28 - C 200000 - LIN-PIA-IMD-MEA-QTY-ALI-DTM-GIN-FTX-SG32-SG33-SG34-SG37-SG39-SG43						
DTM - C 1 - Date/time/period						
Description: To specify date, and/or time, or period.						
Business Term	DE	EDIFACT	EAN	*	GER	Description
	C507	M	M			
	2005	M an..3	M	*		2 = Delivery date/time, requested
Delivery date, requested (detail section)	2380	C an..35	C			
	2379	C an..3	C			102 = CCYYMMDD 203 = CCYYMMDDHHMM 718 = CCYYMMDDCCYYMMDD 719 = CCYYMMDDHHMM- CCYYMMDDHHMM Format of period to be given in actual message without hyphen.

Segment notes:

Segment status: Conditional

The DTM segment is used to specify date and/or time or time period. If this DTM segment is used at detail section, the specification from the heading section is overwritten.

This segment is used, if required, for requested dates concerning the delivery of goods.
DE 2005 = 2, Date, to which the buyer requires the delivery of goods.

Note DE 2005: The application of this code value excludes the use of the code values 63 and 64.

Example: DTM+2:20151028:102'
This example requires the delivery on 28 October 2015.

6. Segments Layout

Detail section

Segment number: 30

SG28	- C	200000	- LIN-PIA-IMD-MEA-QTY-ALI-DTM-GIN-FTX-SG32-SG33-SG34-SG37-SG39-SG43
DTM	- C	1	- Date/time/period
Description: To specify date, and/or time, or period.			
Business Term	DE	EDIFACT	EAN * GER Description
	C507	M	M
	2005	Man..3	M * 64 = <i>Delivery date/time, earliest</i>
Earliest delivery day (Detail section)	2380	C an..35	C
	2379	C an..3	C 102 = <i>CCYYMMDD</i> 203 = <i>CCYYMMDDHHMM</i>
Segment notes:			
Segment status: Conditional			
The DTM segment is used to specify date and/or time or time period. If this DTM segment is used here at detail section, the specification from the heading section is overwritten.			
This segment is used, if required, for requested dates concerning the delivery of goods.			
Note DE 2005: The application of this code value excludes the use of the code value 2.			
Example: DTM+64:201510230800:203' This example requires the delivery at the earliest time on 23 October 2015 at 8.00 a.m.			

6. Segments Layout

Detail section

Segment number: 31

SG28	- C	200000	- LIN-PIA-IMD-MEA-QTY-ALI-DTM-GIN-FTX-SG32-SG33-SG34-SG37-SG39-SG43
DTM	- C	1	- Date/time/period
Description: To specify date, and/or time, or period.			
Business Term	DE	EDIFACT	EAN * GER Description
	C507	M	M
	2005	M an..3	M * 63 = Delivery date/time, latest
Latest delivery date (Detail section)	2380	C an..35	C
	2379	C an..3	C 102 = CCYYMMDD 203 = CCYYMMDDHHMM
Segment notes:			
Segment status: Conditional			
The DTM segment is used to specify date and/or time or time period. If this DTM segment is used here at detail section, the specification from the heading section is overwritten.			
This segment is used, if required, for requested dates concerning the delivery of goods.			
Note DE 2005: The application of this code value excludes the use of the code values 2.			
Example: DTM+63:201510291500:203' This example requires the delivery at the latest time on 29 October 2015 at 3.00 p.m.			

6. Segments Layout

Detail section

Segment number: 32

SG28	- C	200000	- LIN-PIA-IMD-MEA-QTY-ALI-DTM-GIN-FTX-SG32-SG33-SG34-SG37-SG39-SG43
DTM	- C	1	- Date/time/period
Description: To specify date, and/or time, or period.			
Business Term	DE	EDIFACT	EAN * GER Description
	C507	M	M
	2005	Man..3	M * 61 = Cancel if not delivered by this date
Cancellation if not delivered (line item)	2380	C an..35	C
	2379	C an..3	C 102 = CCYYMMDD 203 = CCYYMMDDHHMM
Segment notes: Segment status: Conditional This segment is used for the cancellation of the article, if not delivered until the date requested. Example: DTM+61:200310230800:203' The example request the cancellation if not delivered until 23.10.2003 at 8.00 a.m.			

6. Segments Layout

Detail section

Segment number: 33

SG28	- C	200000	- LIN-PIA-IMD-MEA-QTY-ALI-DTM-GIN-FTX-SG32-SG33-SG34-SG37-SG39-SG43
SG32	- C	1	- PRI
PRI	- M	1	- Price details
Description: To specify price information.			
Business Term	DE	EDIFACT	EAN * GER Description
	C509	C	C
	5125	Man..3	M AAA = Calculation net
List price per ordered unit	5118	C n..15	C
	5375	C an..3	C N
	5387	C an..3	C LIU = List price (GS1 Code)
Segment notes:			
Segment status: Conditional			
This segment contains the list price in the currency, specified in the header section to the current product, which was identified in the LIN segment.			
In the EANCOM order only the net calculation method may be used. Possible condition specification in the ALC group is only for information.			
Example: PRI+AAA:10::LIU' Net list purchase price: 10 EURO			

6. Segments Layout

Detail section

Segment number: 34

SG28	- C	200000	- LIN-PIA-IMD-MEA-QTY-ALI-DTM-GIN-FTX-SG32-SG33-SG34-SG37-SG39-SG43
SG32	- C	1	- PRI
PRI	- M	1	- Price details

Description:

To specify price information.

Business Term	DE	EDIFACT	EAN	*	GER	Description
	C509	C	C			
	5125	Man..3	M			AAE = Information price, excluding allowances or charges, including taxes
Suggested retail price	5118	C n..15	C			
	5375	C an..3	C		N	
	5387	C an..3	C		R	SRP = Suggested retail price
	5284	C n..9	C			
	6411	C an..3	C			KGM = kilogram LTR = litre MTR = metre PCE = piece (GS1 Code) PA = packet

Segment notes:

Segment status: Conditional

This segment can be used to indicate the retail price.

If it is a supplier generated order (BGM DE 1001 = 22E), the supplier can indicate his suggested selling price with the code value "SRP".

Example: PRI+AAE:19.98::SRP:1:PCE'

The recommended retail price per piece is 19.98 EURO incl. tax.

6. Segments Layout

Detail section

Segment number: 35

SG28	- C	200000	- LIN-PIA-IMD-MEA-QTY-ALI-DTM-GIN-FTX-SG32-SG33-SG34-SG37-SG39-SG43
SG32	- C	1	- PRI
PRI	- M	1	- Price details

Description:

To specify price information.

Business Term	DE	EDIFACT	EAN	*	GER	Description
	C509	C	C			
	5125	Man..3	M			AAE = Information price, excluding allowances or charges, including taxes
Labelling price	5118	C n..15	C			
	5375	C an..3	C		N	
	5387	C an..3	C		R	LBL = Labelling price
	5284	C n..9	C			
	6411	C an..3	C			KGM = kilogram LTR = litre MTR = metre PCE = piece (GS1 Code) PA = packet

Segment notes:

Segment status: Conditional

This segment is used if the supplier is requested by the customer to do the price labelling. The currency indicated in the heading section is valid.

The currency indicated in the heading section is valid for the label price.

Example: PRI+AAE:19.98::LBL:1:PCE'

The labeling price per piece is 19.98 EURO incl. tax.

6. Segments Layout

Summary section

Segment number: 36

UNS - M 1 - Section control						
Description: To separate header, detail and summary sections of a message.						
Notes: 1. To be used by message designers when required to avoid ambiguities. Mandatory only if specified for the type of message concerned.						
Business Term	DE	EDIFACT	EAN	*	GER	Description
	0081	M a1	M	*		S = Detail/summary section separation
Segment notes: Segment status: Mandatory This segment is used to separate the detail and summary section of the message. The UNS segment has only a syntactic function. Example: UNS+S' Separation between detail and summary section						

6. Segments Layout

End of the message

Segment number: 37

UNT - M 1 - Message trailer						
Description: To end and check the completeness of a message.						
Business Term	DE	EDIFACT	EAN	*	GER	Description
Number of segments within a message	0074	M n..6	M			
	0062	M an..14	M			The reference number from the UNH segment must be repeated here Same contents as DE 0062 in the UNH segment
Segment notes: Segment status: Mandatory This segment is a mandatory UN/EDIFACT segment. It must always be the last segment in the message. Example: UNT+168+ME0001' Number of segments in the message.						

6. Segments Layout

Segment number: 38

UNZ - M 1 - Interchange trailer						
Description: To end and check the completeness of an interchange.						
Business Term	DE	EDIFACT	EAN	*	GER	Description
End of the transmission file, Number of messages or message groups	0036	M n..6	M			Number of messages or message groups in the transmission file.
Interchange control reference, end	0020	M an..14	M			Interchange control reference, identical with UNB DE 0020.
<p>Segment notes:</p> <p>Segment status: Mandatory</p> <p>The UNZ segment is the last segment of the transmission file.</p> <p>Note DE 0036: If functional groups are not used, this is the number of messages within the interchange.</p> <p>Example: UNZ+1+4711' The transmission file contains 1 message.</p>						

7. Example(s)

ORDERS message example

Please note that EANCOM[®] 2002 message examples are intended to describe all possible constellations of segment use. They do not necessarily reflect the actual requirements of a business process.

Please also note that for technical reasons the examples can contain component data element separators, which would normally be represented as data element separators in original messages.

```
UNA:+.? '  
UNB+UNOC:3+4012345000009:14+4000004000002:14+151024:1043+4711++++EANCOM+1'  
UNH+ME0001+ORDERS:D:01B:UN:EAN010'  
BGM+220:::FM200+128576+9'  
DTM+137:20151024:102'  
DTM+64:201510230800:203'  
DTM+63:201510291500:203'  
ALI+++X2'  
NAD+SU+4012345000009::9'  
NAD+BY+4398765000004::9'  
NAD+DP+4399899175941::9++Trichter Hasen+Bussardweg 5+Leopardshöhle++33818+DE'  
CTA+PD+Claus Früh'  
COM+früh@kölsch.de:EM'  
NAD+UC+4399899175941::9++Trichter Hasen+Bussardweg 5+Leopardshöhle++33818+DE'  
CTA+PD+Claus Früh'  
COM+früh@kölsch.de:EM'  
CUX+2:EUR:9'  
LIN+1++4000004000033:SRV'  
PIA+1+1230815:SA::91+563985:IN::92+4000004000035:PV::9+91201:EWC::2'  
QTY+21:20'  
DTM+64:201510230800:203'  
DTM+63:201510291500:203'  
PRI+AAA:10::LIU'  
PRI+AAE:19.98::SRP:1:PCE'  
PRI+AAE:19.98::LBL:1'  
UNS+S'  
UNT+25+ME0001'  
UNZ+1+4711
```