

GS1 Germany EDI Recommendation

**for the textile sectors
CFB-Connecting Fashion Business
V2.1
Receiving advice
(RECADV)**

**based on
EANCOM[®] 2002 S3**

1. Introduction.....	2
2. List of business terms	10
3. Message structure chart.....	12
4. Branching diagram	14
5. Segment Descriptions	17
6. Segments layout.....	21
7. Example(s)	68

1. Introduction

Preamble

The aim of the brochure on hand is to offer documentation describing the exchange of receiving data between business partners.

The basis of this elaboration is the international standard EANCOM® 2002. The message type RECADV 008 is used to transmit relevant data. GEFEG.FX (Gefeg mbH, Berlin) was used as the documentation tool.

Please be aware to know that this booklet does not replace the complete specifications in the original chapters or other relevant instructions within the EANCOM® 2002 documentation. Instead, it deals with the description of segments, data elements and codes to be used for a specific task.

The current documentation has been produced by the GS1 Germany GmbH in Cologne. GS1 Germany assumes no liability for any damages incurring from the use of this documentation. This brochure or extracts thereof may only be published or forwarded to third parties with the express written consent of GS1 Germany, which holds copyright on this work.

GS1 Germany thanks all experts who contributed significantly to these guidelines with knowledge from their daily business.

Important note:

To fulfill the requirements of directive 2015/58/EG, article 4, C058 has been opened in NAD segments identifying a message sender. If the place in the 5 DE 3124 is not sufficient, the following RFF segments can be used, qualified with DE 1153 = GN. DE 1154 has got a capacity of 70 digits. Only in those cases, when no RFF segment follows NAD, a RFF+GN can be used in the heading section of the message. Within the EDI recommendations of GS1 Germany this is only applicable for the messages REMADV and SLSFCT.

1. Introduction

Conventions

This brochure offers different ways to start:

Section 2, "Business Terms", is a table which links directly to the sequence numbers of the segments.

Section 3, "Message Structure Chart", is a list of all used segments in the same sequence as they are defined in the EANCOM® message. In general, for each piece of information one single segment is provided. Exceptions may arise when the occurrence of a segment is limited and can contain alternative information (e.g., segment BGM).

Section 4, "Branching Diagram", is a hierarchical graphic depiction of all used segments in the same sequence as they are defined in the EANCOM® message. However, every segment is shown only once, and it is therefore possible that the sequence numbering is interrupted.

Section 5, "Segments Description", is a brief summary of the use of each segment.

In **Section 6, "Segments Layout"**, an illustration that has been chosen to match the business terms (data from the in-house application) with the elements from the EANCOM® syntax.

Note on section 6:

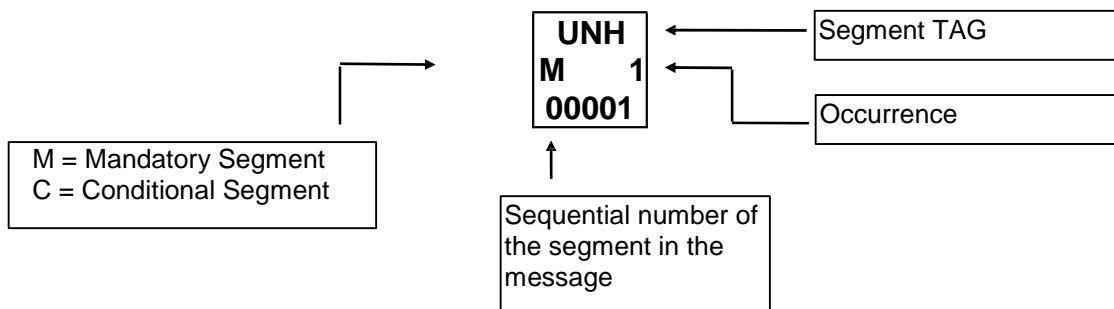
An additional column (GER) to provide a German status has been added to the layouts. An entry indicates that the recommended status differs from the EANCOM® status. If the recommended status is weaker than the EANCOM® status, the data element (or, if only one term exists the entire segment) can be omitted.

In general, code names are presented in red; these must to be understood as restricted and should not be changed/modified without bilateral agreement with the partner. If codes are given as examples, they are represented in blue (e.g., measurements). In this case, all codes of the relevant code list can be used.

Section 7, "Example(s)", provides at least one message example with comments. Please note that, for technical reasons, the examples can contain component data element separators, which would otherwise be represented as data element separators in the original messages.

1. Introduction

The following conventions apply to this brochure:



Business Term			EANCOM-Mapping		
Name	Format	Status	DEG	DE	Description

a	alphabetic character				
n	numeric character				
an	alphanumeric character				
a3	3 alphabetic characters, fixed length				
n3	3 numeric characters, fixed length				
an3	3 alphanumeric characters, fixed length				
a..3	up to 3 alphabetic characters				
n..3	up to 3 numeric characters				
an..3	up to 3 alphanumeric characters				

C	=	Conditional
M	=	Mandatory
R	=	Required
D	=	Depending
O	=	Optional
A	=	Recommended
N	=	Not used

1. Introduction

Message structure

Heading section

Specification of message sender and receiver, delivery party, receiving date and document number.

Detail section

The detail section mirrors the detail section of the RECADV message and is used to specify differences between quantities advised and received, if applicable.

Summary section

The summary section contains no data and has syntactical reasons.

Project description

The receiving advice message is sent from the retailer to the supplier after the physical receiving of goods. It specifies details of goods received on agreed conditions.

The message relates to a single despatch point and a single receiving point. It may cover a number of different items, packages or orders. It gives information to the consignor about received and accepted/not accepted goods.

New since recommendation 2008:

The RECADV message should mirror the entire data of the basic DESADV message. Correct lines are communicated as well as differences by failing, crash, etc. By this way the sender of the goods can compare on line level.

The transmission of a DESADV by the sender of goods is a pre-condition for that process. The following RECADV indicates again all information of the heading and detail section inclusive SSCC. It is also recommended to send back the batch number. This is to be agreed bilaterally by the partners. Like SSCC the indication is not mandatory, but helps in the process of tracking and tracing. Both, correct deliveries and discrepancies are communicated. The data from the RECADV can directly be used to create an INVOIC without differences.

This procedure is recommended to minimize differences in invoices at later time.

1. Introduction

The segments QTY and QVR in SG 22

Used qualifiers:

QTY , DE 6063	21	Ordered quantity
	46	Delivered quantity
	194	Received and accepted quantity
QVR , DE 6063	83	Back order quantity to be delivered later
	195	Received, not accepted, to be returned
	196	Received, not accepted, to be destroyed
QVR , DE 4221	AC	Over-shipped
	AE	Delivered but not advised
	AF	Goods delivered damaged
	AG	Delivered too late
	BP	Shipment partial - back order to follow
	CP	Shipment partial - considered complete, no backorder
QVR , DE 4295	AT	Item not ordered
	PE	Product durability date unacceptable

Examples:

1. Acceptance of the entire delivery

Ordered	100
Delivered	100
Received and accepted	100

The RECADV message mirrors the heading- and detail section of the received DESADV message. Its heading section also provides a reference to the DESADV document number.

In all following cases the RECADV message mirrors the heading- and detail section of the received DESADV message. Its heading section also provides a reference to the DESADV document number. Additionally the detail section contains information about differences between the quantity ordered and received / accepted.

1. Introduction

8. Delivered too late, back

Ordered	100
Delivered	100
Received and accepted	0
Reasons, Activity	100 back

QTY+21:100'

QTY+46:100'

QTY+194:0'

QVR+100:195+AG'

Ordered quantity equals 100

Delivered quantity equals 100

Received and accepted quantity equals 0

Quantity difference of plus 100 will be sent back because delivered too late.

2. Business Terms

Term	EANCOM-Segment			Data element	
	No.	Segment	SG	DEG	DE
Acknowledgement request	2	UNB			0031
Address for reverse routing	2	UNB		S002	0008
Application reference	2	UNB			0026
Batch number	35	PIA	SG16#3\SG22#1	C212	7140
Beginning of message	3	UNH			0062
Buyers additional identification	19	RFF	SG4#4\SG5#2	C506	1154
Buyers article number	34	PIA	SG16#3\SG22#1	C212	7140
Buyers order number	8	RFF	SG1#2	C506	1154
Character set	2	UNB		S001	0001
Component data element separator	1	UNA			UNA1
Contact person	20	CTA	SG4#4\SG6#1	C056	3412
Control information	44	CNT		C270	6066
Country of receiver, coded	15	NAD	SG4#1		3207
Creation date	5	DTM		C507	2380
Data element separator	1	UNA			UNA2
Date of referencing document	12	DTM	SG1#6	C507	2380
Decimal notation	1	UNA			UNA3
Delivered quantity	38	QTY	SG16#3\SG22#1	C186	6060
Delivery note	10	RFF	SG1#5	C506	1154
Delivery party identification	15	NAD	SG4#1	C082	3039
Despatch advice	7	RFF	SG1#1	C506	1154
Despatched quantity	39	QTY	SG16#3\SG22#1	C186	6060
Document Number	4	BGM		C106	1004
EANCOM	2	UNB			0032
End of the transmission file, Number of messages or message groups	46	UNZ			0036
File creation date	2	UNB		S004	0017
File creation time	2	UNB		S004	0019
Free goods quantity	42	QTY	SG16#3\SG22#1	C186	6060
Goods received quantity	41	QTY	SG16#3\SG22#1	C186	6060
Goods receipt date	6	DTM		C507	2380
GTIN Article identification	32	LIN	SG16#3\SG22#1	C212	7140
Hierarchy level	26	CPS	SG16#2		7166
Hierarchy level (despatch units / articles)	30	CPS	SG16#3		7166
Identification of buyer/invoicee	17	NAD	SG4#4	C082	3039
Identification of ship from place	23	NAD	SG4#9	C082	3039
Identification of the receiver of the transmission file	2	UNB		S003	0010
Identification of the sender of the transmission file	2	UNB		S002	0004
Instruction of returns date	14	DTM	SG1#7	C507	2380
Interchange control reference, beginning	2	UNB			0020
Interchange control reference, end	46	UNZ			0020
Line item number	32	LIN	SG16#3\SG22#1		1082
Marking with SSCC (despatch units)	28	PCI	SG16#2\SG17#1\SG18#1		4233
Message reference number	3	UNH			0062
Name 1 of the receiver	15	NAD	SG4#1	C080	3036
Name 1 of the ultimate consignee	16	NAD	SG4#2	C080	3036
Name 2 of the receiver	15	NAD	SG4#1	C080	3036
Name 2 of the ultimate consignee	16	NAD	SG4#2	C080	3036
Name 3 of the receiver	15	NAD	SG4#1	C080	3036
Name 3 of the ultimate consignee	16	NAD	SG4#2	C080	3036

2. Business Terms

Term	EANCOM-Segment			Data element	
	No.	Segment	SG	DEG	DE
Number of instruction of returns	13	RFF	SG1#7	C506	1154
Number of packages (despatch units / articles)	31	PAC	SG16#3\SG17#1		7224
Number of packages (despatch units)	27	PAC	SG16#2\SG17#1		7224
Number of packages within the consignment	25	PAC	SG16#1\SG17#1		7224
Ordered quantity	37	QTY	SG16#3\SG22#1	C186	6060
Password interchange	2	UNB		S005	0022
Place of receiver - name of a city (town, village) for addressing purposes.	15	NAD	SG4#1		3164
Place of ultimate consignee - name of a city (town, village) for addressing purposes.	16	NAD	SG4#2		3164
Postcode of receiver	15	NAD	SG4#1		3251
Postcode of ultimate consignee	16	NAD	SG4#2		3251
Process variant, coded	4	BGM		C002	1000
Purchasing contact department	20	CTA	SG4#4\SG6#1	C056	3413
Quantity received and accepted	40	QTY	SG16#3\SG22#1	C186	6060
Quantity variance	43	QVR	SG16#3\SG22#1	C279	6064
Release character	1	UNA			UNA4
Reserved for future use	1	UNA			UNA5
Routing address	2	UNB		S003	0014
Segment terminator	1	UNA			UNA6
Sequence number of packages within the consignment	24	CPS	SG16#1		7164
Sequence of the packages (despatch units / articles)	30	CPS	SG16#3		7164
Sequence of the packages (despatch units)	26	CPS	SG16#2		7164
Serial number	36	PIA	SG16#3\SG22#1	C212	7140
Serial Shipping Container Code (SSCC)	29	GIN	SG16#2\SG17#1\SG18#1\SG20#1	C208	7402
Source delivery note	11	RFF	SG1#6	C506	1154
Statements on business letters	18	RFF	SG4#4\SG5#1	C506	1154
Street and number of receiver	15	NAD	SG4#1	C059	3042
Street of ultimate consignee	16	NAD	SG4#2	C059	3042
Supplier identification	21	NAD	SG4#6	C082	3039
Suppliers additional identification	22	RFF	SG4#6\SG5#1	C506	1154
Suppliers article number (secondary indent.)	33	PIA	SG16#3\SG22#1	C212	7140
Suppliers order number	9	RFF	SG1#3	C506	1154
Syntax version	2	UNB		S001	0002
Test indicator	2	UNB			0035
Total number of segments	45	UNT			0074
Type of packages	25	PAC	SG16#1\SG17#1	C202	7065
Ultimate consignee identification	16	NAD	SG4#2	C082	3039

Receiving Advice

3. Message Structure Chart

UNA	1	C	1	- Used character set
UNB	2	M	1	- Beginning of transmission file
<u>Heading section</u>				
UNH	3	M	1	- Beginning of message
BGM	4	M	1	- Document Number Textile
DTM	5	M	10	- Creation date
DTM	6	M	10	- Goods receipt date
SG1		C	10	- RFF
┌ RFF	7	M	1	- Despatch advice
└ SG1		C	10	- RFF
┌ RFF	8	M	1	- Buyers order number
└ SG1		C	10	- RFF
┌ RFF	9	M	1	- Suppliers order number
└ SG1		C	10	- RFF
┌ RFF	10	M	1	- Delivery note
└ SG1		C	10	- RFF-DTM
┌ RFF	11	M	1	- Source delivery note
└ DTM	12	C	1	- Date of source delivery note
┌ SG1		C	10	- RFF-DTM
└ RFF	13	M	1	- Instruction for return number
└ DTM	14	C	1	- Instruction for return date
┌ SG4		M	99	- NAD
└ NAD	15	M	1	- Delivery party identification
┌ SG4		M	99	- NAD
└ NAD	16	M	1	- Ultimate consignee identification
┌ SG4		M	99	- NAD-SG5-SG5-SG6
└ NAD	17	M	1	- Identification of buyer/invoicee
┌ SG5		C	10	- RFF
└ RFF	18	M	1	- Statements on business letters
┌ SG5		C	10	- RFF
└ RFF	19	M	1	- Buyers additional identification
┌ SG6		C	10	- CTA
└ CTA	20	M	1	- Contact person
┌ SG4		M	99	- NAD-SG5
└ NAD	21	M	1	- Supplier identification
┌ SG5		C	10	- RFF
└ RFF	22	M	1	- Suppliers additional identification
┌ SG4		M	99	- NAD
└ NAD	23	M	1	- Identification of the ship from place
<u>Detail section consignment</u>				
┌ SG16		C	9999	- CPS-SG17
└ CPS	24	M	1	- Sequence number of packages within the consignment
┌ SG17		C	9999	- PAC
└ PAC	25	M	1	- Number of packages within the consignment
<u>Detail section despatch units</u>				
┌ SG16		C	9999	- CPS-SG17
└ CPS	26	M	1	- Hierarchy level
┌ SG17		C	9999	- PAC-SG18
└ PAC	27	M	1	- Number of packages
┌ SG18		C	999	- PCI-SG20
└ PCI	28	M	1	- Marking with SSCC
┌ SG20		C	999	- GIN
└ GIN	29	M	1	- Serial Shipping Container Code (SSCC)
<u>Detail section despatch units / articles</u>				
┌ SG16		C	9999	- CPS-SG17-SG22
└ CPS	30	M	1	- Hierarchy level

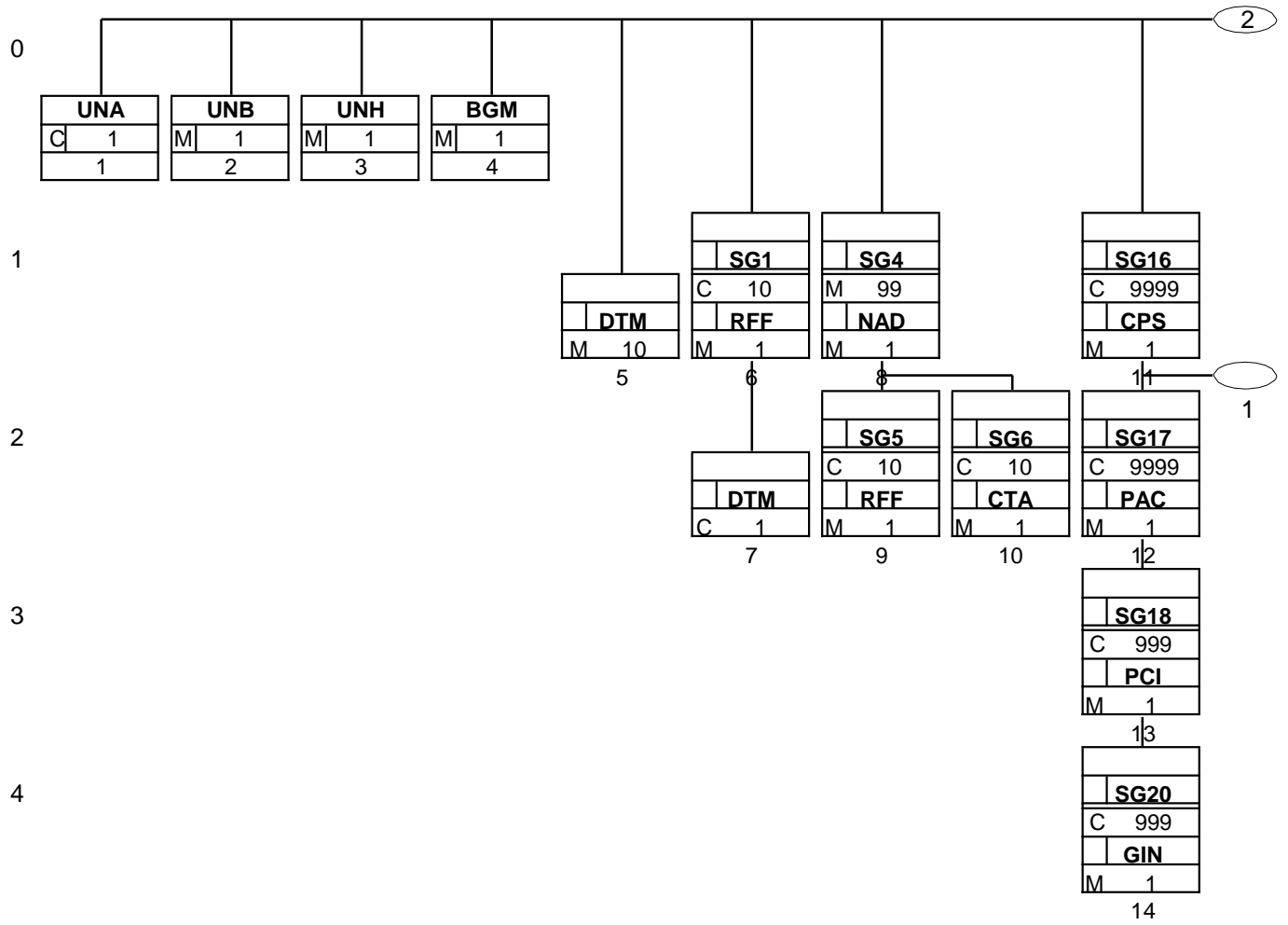
3. Message Structure Chart

SG17		C	9999	- PAC
PAC	31	M	1	- Number of packages
SG22		C	9999	- LIN-PIA-PIA-PIA-PIA-QTY-QTY-QTY-QTY-QTY-QTY-QVR
LIN	32	M	1	- GTIN Article identification
PIA	33	C	10	- Suppliers article number (secondary indent.)
PIA	34	C	10	- Buyers article number
PIA	35	C	10	- Batch number PIA
	36	C	10	- Serial number
QTY	37	C	10	- Ordered quantity
QTY	38	C	10	- Delivered quantity
QTY	39	C	10	- Despatched quantity
QTY	40	C	10	- Quantity received and accepted
QTY	41	C	10	- Received quantity at distribution center
QTY	42	C	10	- Free goods quantity
QVR	43	C	10	- Quantity variance

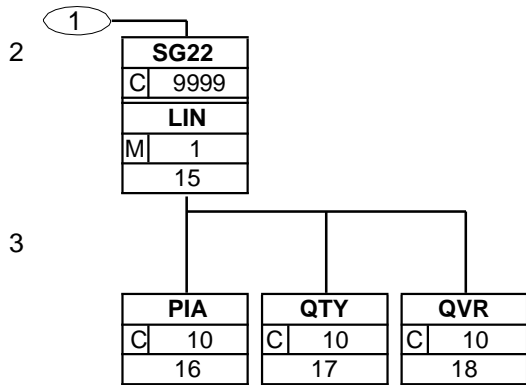
Summary section

CNT	44	C	1	- Control information
UNT	45	M	1	- End of message
UNZ	46	M	1	- End of the transmission file

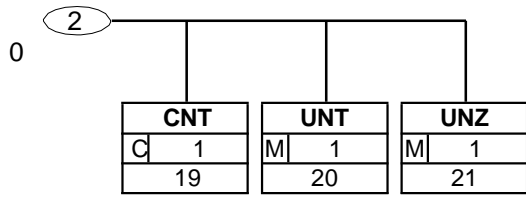
4. Branching Diagram



4. Branching Diagram



4. Branching Diagram



5. Segments Description

UNA - C 1	- Used character set The use of the UNA segment is mandatory, if character set "A" (UNB,DE0001) is not used.
UNB - M 1	- Beginning of transmission file This segment is used to envelope the interchange, as well as to identify both, the party to whom the interchange is sent and the party who has sent the interchange.
<u>Heading section</u>	
UNH - M 1	- Beginning of message This segment is used to head, identify and specify a message. If the RECADV has no differences to the DESADV it is sufficient to send only header- and summary section of the message.
BGM - M 1	- Document Number This segment is used to indicate the type and function of a message and to transmit the identifying number.
DTM - M 10	- Creation date Identification of the 'Document/message date/time' (code value 137) is mandatory in the message.
DTM - M 10	- Goods receipt date Date/time upon which the goods were received by a given party.
SG1 - C 10	- RFF
RFF - M 1	- Despatch advice This segment is used to reference the despatch advice number (DESADV).
SG1 - C 10	- RFF
RFF - M 1	- Buyers order number This segment can contain a reference to buyers order number. It is not available with CRP orders.
SG1 - C 10	- RFF
RFF - M 1	- Suppliers order number This segment is used to provide the (internal) order number of the supplier. Not available in case of returns and movement to other outlets.
SG1 - C 10	- RFF
RFF - M 1	- Delivery note This segment can be used to reference the delivery note number.
SG1 - C 10	- RFF-DTM
RFF - M 1	- Source delivery note This segment can be used to specify the source delivery note of the supplier.
DTM - C 1	- Date of source delivery note This segment is used to specify any dates related to the references given in the previous RFF segment.
SG1 - C 10	- RFF-DTM
RFF - M 1	- Instruction for return number This segment can be used to specify the instruction of returns.
DTM - C 1	- Instruction for return date This segment is used to specify any dates related to the references given in the previous RFF segment.
SG4 - M 99	- NAD

5. Segments Description

- NAD - M 1 - Delivery party identification**
 This NAD segment always identifies the first delivery place.
 The delivery party is identified by GLN. Party name and address in clear text may only be used, if a GLN is not (yet) available.
 If the delivery party is not known (e.g. pick up by third party), the GLN of the buyer is indicated in DE 3039.
- SG4 - M 99 - NAD**
NAD - M 1 - Ultimate consignee identification
 This NAD segment identifies the secondary delivery place.
 If the warehouse is the delivery party (DE 3035 = DP) and the consignment is addressed to a specific outlet, that outlet is identified as ultimate consignee.
 The ultimate consignee is identified by GLN. Party name and address in clear text may only be used, if a GLN is not (yet) available.
- SG4 - M 99 - NAD-SG5-SG5-SG6**
NAD - M 1 - Identification of buyer/invoicee
 The buyer/invoicee is identified by GLN.
- SG5 - C 10 - RFF**
RFF - M 1 - Statements on business letters
 This RFF segment may only be used if the preceding NAD has not enough space to fulfill the requirements of directive 2015/58/EG, article 4.
- SG5 - C 10 - RFF**
RFF - M 1 - Buyers additional identification
 The RFF segment following the NAD segment can specify an agreed additional identification.
- SG6 - C 10 - CTA**
CTA - M 1 - Contact person
 This segment is used to identify the department and/or person within the party specified in the NAD.
- SG4 - M 99 - NAD-SG5**
NAD - M 1 - Supplier identification
 The supplier is identified by GLN.
- SG5 - C 10 - RFF**
RFF - M 1 - Suppliers additional identification
 The RFF segment following the NAD segment can specify an agreed additional identification.
- SG4 - M 99 - NAD**
NAD - M 1 - Identification of the ship from place
 Identification of the ship from place by Global Location Number (GLN).

Detail section consignment

- SG16 - C 9999 - CPS-SG17**
CPS - M 1 - Sequence number of packages within the consignment
 The CPS segment starts the detail section of the message. The segments following the first occurrence of CPS (CPS+1) and previous to the following CPS (CPS+2+1) can provide physical dimensions for the entire consignment.
- SG17 - C 9999 - PAC**

5. Segments Description

PAC - M 1 - **Number of packages within the consignment**
 This segment group can be used to identify the total number of packages and package types within the consignment.

Detail section despatch units

SG16 - C 9999 - **CPS-SG17**
CPS - M 1 - **Hierarchy level**
 The detail section provides information about despatch units and associated SSCC.

SG17 - C 9999 - **PAC-SG18**
PAC - M 1 - **Number of packages**
 This segment can be used to indicate the total number of packages of the consignment within the hierarchy level defined in the CPS segment. The content of each package is described in the following LIN segments.

SG18 - C 999 - **PCI-SG20**
PCI - M 1 - **Marking with SSCC**
 The PCI segment details markings with SSCC.

SG20 - C 999 - **GIN**
GIN - M 1 - **Serial Shipping Container Code (SSCC)**
 This segment provides the SSCC to uniquely identify individual packages.

Detail section despatch units / articles

SG16 - C 9999 - **CPS-SG17-SG22**
CPS - M 1 - **Hierarchy level**
 The line level details package and SSCC information that have not master data character.
 This segment is used to provide the sequence of packages within the consignment, i.e. each package starts a new line level by use of the CPS segment and DE 7164 is increased by 1.

SG17 - C 9999 - **PAC**
PAC - M 1 - **Number of packages**
 This segment can be used to indicate the number of despatch units within the hierarchy level defined in the CPS segment. The content of each despatch unit is described in the following LIN segments.

SG22 - C 9999 - **LIN-PIA-PIA-PIA-PIA-QTY-QTY-QTY-QTY-QTY-QTY-QVR**
LIN - M 1 - **GTIN Article identification**
 The LIN segment is used to identify the products contained in the consignment.

PIA - C 10 - **Suppliers article number (secondary indent.)**
 This segment is used to advise the suppliers article number additionally to GTIN.

PIA - C 10 - **Buyers article number**
 This segment is used to advise the buyers article number additionally to GTIN.

PIA - C 10 - **Batch number**
 This segment can be used to indicate the batch number.

PIA - C 10 - **Serial number**
 This segment can be used to indicate the serial number of a product.

QTY - C 10 - **Ordered quantity**
 This segment is used to indicate quantity information for the ordered product identified in LIN.

5. Segments Description

- QTY - C 10** - **Delivered quantity**
 This segment is used to indicate quantity information for the delivered product identified in LIN.
- QTY - C 10** - **Despatched quantity**
 For products with variable quantities the quantity is indicated in the measurement unit that is used for invoicing.
- QTY - C 10** - **Quantity received and accepted**
 This segment is used to indicate quantity information for the delivered/accepted product identified in LIN. The quantity is indicated in the measurement unit that is used for invoicing.
- QTY - C 10** - **Received quantity at distribution center**
 Definition Goods received quantity: Goods received by delivery of the supplier, i.e. goods received quantity accounts increasing the inventory, identical with the ordered quantity.
- QTY - C 10** - **Free goods quantity**
 This segment can be used to provide free goods quantity.
- QVR - C 10** - **Quantity variance**
 This segments indicates the variances between advised an accepted quantity. For negative values (e.g. not accepted damaged goods) the minus sign must be used for variances. It is not possible to indicate a measurement unit. It is identical with the measurement of the accepted quantity (QTY+194).

Summary section

- CNT - C 1** - **Control information**
 This segment is used to provide message control information for checking on the message receivers in-house system.
- UNT - M 1** - **End of message**
 This segment is a mandatory UN/EDIFACT segment. It must always be the last segment in the message.
- UNZ - M 1** - **End of the transmission file**
 The UNZ segment is the last segment of the transmission file.

6. Segments Layout

Segment number: 1

UNA - C 1 - Service string advice						
Description: To define the characters selected for use as delimiters and indicators in the rest of the interchange that follows.						
Business Term	DE	EDIFACT	EAN	*	GER	Description
Component data element separator	UNA1	M an1	M			Default value: ":"
Data element separator	UNA2	M an1	M			Default value: "+"
Decimal notation	UNA3	M an1	M			Default value: "."
Release character	UNA4	M an1	M			Default value: "?"
Reserved for future use	UNA5	M an1	M			(Default value: space)
Segment terminator	UNA6	M an1	M			Default value: "' '
<p>Segment notes:</p> <p>Segment status: Depending</p> <p>The use of the UNA segment is mandatory, if character set "A" (UNB,DE0001) is not used.</p> <p>For international EDI the use of character set UNOA is recommended. For national (German) EDI the use of UNOC is reasonable because it contains lower case letters and umlauts.</p> <p>Example: UNA:+.? ' The UNA segment contains the default service string characters.</p>						

6. Segments Layout

Segment number: 2

UNB - M 1 - Interchange header						
Description: To start, identify and specify an interchange.						
Business Term	DE	EDIFACT	EAN	*	GER	Description
	S001	M	M			
Character set	0001	Ma4	M			UNOA = UN/ECE level A UNOB = UN/ECE level B UNOC = UN/ECE level C UNOD = UN/ECE level D UNOE = UN/ECE level E UNOF = UN/ECE level F
Syntax version	0002	Mn1	M			3 = Version 3
	S002	M	M			
Identification of the sender of the transmission file	0004	Man..35	M			= Global Location Number (GLN)
	0007	Can..4	R			14 = GS1
Address for reverse routing	0008	Can..14	O			See note
	S003	M	M			
Identification of the receiver of the transmission file	0010	Man..35	M			= Global Location Number (GLN)
	0007	Can..4	R			14 = GS1
Routing address	0014	Can..14	O			See note
	S004	M	M			
File creation date	0017	Mn6	M			= Date format JJMMTT
File creation time	0019	Mn4	M			= Time format hhmm
Interchange control reference, beginning	0020	Man..14	M			= Unique senders reference
	S005	C	O			
Password interchange	0022	Man..14	M		O	
	0025	Can2	O			AA = Reference BB = Password
Application reference	0026	Can..14	O			Message type if the transmission file contains only one message type
	0029	Ca1	O			A = Highest priority
Acknowledgement request	0031	Cn1	O			
EANCOM	0032	Can..35	O		R	= EANCOM EDIFACT subset identification (see note)
Test indicator	0035	Cn1	O			1 = Interchange is a test

Segment notes:

Segment status: Mandatory

This segment is used to envelope the interchange, as well as to identify both, the party to whom the interchange is sent and the party who has sent the interchange.

For international EDI the use of character set UNOA is recommended. For national (German) EDI the use of UNOC is reasonable because it contains lower case letters and umlauts.

6. Segments Layout

Segment number: 2

Note DE 0008:

The address for reverse routing is provided by the interchange sender to inform the interchange recipient of the address within the sender's (source) system to which responding interchanges must be sent. It is recommended that the GLN be used for this purpose.

Note DE 0014:

The routing address is used to identify the receiver, if a provider adds service values for the actual receiver (e.g. consolidated companies, corporate group). The use of the identification system (e.g. GLN) has to be agreed bilaterally.

Note DE 0020:

This data element must contain a consistent sequential number per interchange between sender and receiver of the transmission.

Note DE 0032:

This data element is used to identify any underlying agreements which control the exchange of data. Within EANCOM, the identity of such agreements must start with the letters 'EANCOM', the remaining characters within the data element being filled according to bilateral agreements.

Example: UNB+UNOC:3+4012345000009:14:4012345000018+4000004000002:14:4000004000099+101013:1043+4711+REF:AA++++EANCOM+1'

The EANCOM file 4711 dated 13.10.2015, 10 h 43 is sent by the issuer identified with GLN 4012345000009 to the receiver identified with GLN 4000004000002.

6. Segments Layout

Heading section

Segment number: 3

UNH - M 1 - Message header						
Description: To head, identify and specify a message.						
Business Term	DE	EDIFACT	EAN	*	GER	Description
Message reference number Beginn of message	0062	M an..14	M			Sender's unique message reference. Sequence number of messages in the interchange. DE 0062 in UNT will have the same value. Generated by the sender.
	S009	M	M			
	0065	M an..6	M	*		RECADV = Receiving advice message
	0052	M an..3	M	*		D = Draft version/UN/EDIFACT Directory
	0054	M an..3	M	*		01B = Release 2001 - B
	0051	M an..2	M	*		UN = UN/CEFACT
	0057	C an..6	R	*		EAN008 = GS1 version control number (GS1 Code)
<p>Segment notes:</p> <p>Segment status: Mandatory</p> <p>This segment is used to head, identify and specify a message.</p> <p>If the RECADV has no differences to the DESADV it is sufficient to send only header and summary section of the message.</p> <p>Example: UNH+ME000001+RECADV:D:01B:UN:EAN008' The reference number of the RECADV message is ME000001.</p>						

6. Segments Layout

Heading section

Segment number: 4

BGM - M 1 - Beginning of message						
Description: To indicate the type and function of a message and to transmit the identifying number.						
Business Term	DE	EDIFACT	EAN	*	GER	Description
	C002	C	R			
	1001	C an..3	R	*		632 = Goods receipt
	1131	C an..17	N			
	3055	C an..3	N			
Process variant, coded	1000	C an..35	O			This data element indicates the variant of the process model textile: "Business Model" on the website of GS1 Netherlands.
	C106	C	R			
Document Number	1004	C an..35	R			Document number assigned by sender
	1225	C an..3	R	*		9 = Original
Segment notes: Segment status: Mandatory This segment is used to indicate the type and function of a message and to transmit the identifying number. Example: BGM+632+87441+9' The document number is 87441.						

6. Segments Layout

Heading section

Segment number: 5

DTM - M 10 - Date/time/period						
Description: To specify date, and/or time, or period.						
Business Term	DE	EDIFACT	EAN	*	GER	Description
	C507	M	M			
	2005	Man..3	M	*		137 = Document/message date/time
Creation date	2380	C an..35	R			
	2379	C an..3	R			102 = CCYYMMDD 203 = CCYYMMDDHHMM
Segment notes:						
Segment status: Mandatory						
Identification of the 'Document/message date/time' (code value 137) is mandatory in the receiving advice message.						
Example: DTM+137:20151212:102' The message was created on 12.12.2015						

6. Segments Layout

Heading section

Segment number: 6

DTM - M 10 - Date/time/period						
Description: To specify date, and/or time, or period.						
Business Term	DE	EDIFACT	EAN	*	GER	Description
	C507	M	M			
	2005	Man..3	M	*		50 = Goods receipt date/time
Goods receipt date	2380	C an..35	R			
	2379	C an..3	R			102 = CCYYMMDD 203 = CCYYMMDDHHMM
Segment notes:						
Segment status: Mandatory						
Date/time upon which the goods were received by a given party.						
Example: DTM+50:20151205:102' The goods receipt took place on 05.12.2015						

6. Segments Layout

Heading section

Segment number: 7

SG1	- C	10 - RFF				
RFF	- M	1 - Reference				
Description: To specify a reference.						
Business Term	DE	EDIFACT	EAN	*	GER	Description
	C506	M	M			
	1153	Man..3	M			AAK = Despatch advice number
Despatch advice	1154	C an..70	R			
Segment notes: Segment status: Conditional This segment is used to reference the despatch advice number (DESADV). Example: RFF+AAK:4710' The message references to despatch advice number 4710.						

6. Segments Layout

Heading section

Segment number: 8

SG1	- C	10 - RFF				
RFF	- M	1 - Reference				
Description: To specify a reference.						
Business Term	DE	EDIFACT	EAN	*	GER	Description
	C506	M	M			
	1153	Man..3	M			ON = Order number (buyer)
Buyers order number	1154	C an..70	R			
Segment notes: Segment status: Depending This segment can contain a reference to buyers order number. It is not available with CRP orders. Example: RFF+ON:4711' The message references to buyers order number 4711.						

6. Segments Layout

Heading section

Segment number: 9

SG1	- C	10 - RFF				
RFF	- M	1 - Reference				
Description: To specify a reference.						
Business Term	DE	EDIFACT	EAN	*	GER	Description
	C506	M	M			
	1153	Man..3	M			VN = Order number (supplier)
Suppliers order number	1154	C an..70	R			
Segment notes: Segment status: Depending This segment is used to provide the (internal) order number of the supplier. Not available in case of returns and movement to other outlets. Example: RFF+VN:4712' The message references to suppliers order number 4712.						

6. Segments Layout

Heading section

Segment number: 10

SG1	- C	10 - RFF				
RFF	- M	1 - Reference				
Description: To specify a reference.						
Business Term	DE	EDIFACT	EAN	*	GER	Description
	C506	M	M			
	1153	Man..3	M			DQ = Delivery note number
Delivery note	1154	C an..70	R			
Segment notes: Segment status: Conditional This segment can be used to reference the delivery note number. Example: RFF+DQ:4714' The message references to delivery note number 4714.						

6. Segments Layout

Heading section

Segment number: 11

SG1	- C	10 - RFF-DTM				
RFF	- M	1 - Reference				
Description: To specify a reference.						
Business Term	DE	EDIFACT	EAN	*	GER	Description
	C506	M	M			
	1153	Man..3	M			ACE = Related document number
Source delivery note	1154	C an..70	R			
<p>Segment notes:</p> <p>Segment status: Conditional</p> <p>This segment can be used to specify the source delivery note of the supplier.</p> <p>Example: RFF+ACE:8799' Reference to source delivery note no. 8799.</p>						

6. Segments Layout

Heading section

Segment number: 12

SG1	- C	10 - RFF-DTM				
DTM	- C	1 - Date/time/period				
Description: To specify date, and/or time, or period.						
Business Term	DE	EDIFACT	EAN	*	GER	Description
	C507	M	M			
	2005	M an..3	M	*		171 = Reference date/time
Date of referencing document	2380	C an..35	R			
	2379	C an..3	R			102 = CCYYMMDD
Segment notes:						
Segment status: Conditional						
This segment is used to specify any dates related to the references given in the previous RFF segment.						
Example: DTM+171:20150301:102' The date on the referencing document is 01.03.2015						

6. Segments Layout

Heading section

Segment number: 13

SG1	- C	10 - RFF-DTM				
RFF	- M	1 - Reference				
Description: To specify a reference.						
Business Term	DE	EDIFACT	EAN	*	GER	Description
	C506	M	M			
	1153	Man..3	M			IRN = Instruction for returns number (GS1 Code)
Number of instruction of returns	1154	C an..70	R			
Segment notes: Segment status: Depending This segment can be used to specify the instruction of returns. Example: RFF+IRN:8711' The instruction of returns no. 8711 is valid.						

6. Segments Layout

Heading section

Segment number: 14

SG1	- C	10 - RFF-DTM				
DTM	- C	1 - Date/time/period				
Description:						
To specify date, and/or time, or period.						
Business Term	DE	EDIFACT	EAN	*	GER	Description
	C507	M	M			
	2005	M an..3	M	*		171 = Reference date/time
Instruction of returns date	2380	C an..35	R			
	2379	C an..3	R			102 = CCYYMMDD
Segment notes:						
Segment status: Conditional						
This segment is used to specify any dates related to the references given in the previous RFF segment.						
Example: DTM+171:20150301:102'						
The date of the instruction of returns is 01.03.2015						

6. Segments Layout

Heading section

Segment number: 15

SG4	- M	99 - NAD-SG5				
NAD	- M	1 - Name and address				
Description:						
To specify the name/address and their related function, either by C082 only and/or unstructured by C058 or structured by C080 thru 3207.						
Business Term	DE	EDIFACT	EAN	*	GER	Description
	3035	M an..3	M			DP = Delivery party
	C082	C	A			
Delivery party identification	3039	M an..35	M			Global Location Number (GLN) - Format n13
	1131	C an..17	N			
	3055	C an..3	R	*		9 = GS1
	C058	C	N		N	
	3124	M an..35	M			
	C080	C	D			
Name 1 of the receiver	3036	M an..35	M			
Name 2 of the receiver	3036	C an..35	O		D	
Name 3 of the receiver	3036	C an..35	O		D	
	C059	C	D			
Street and number of receiver	3042	M an..35	M			
Place of receiver	3164	C an..35	D			
	C819	C	N			
	3229	C an..9	O			
Postcode of receiver	3251	C an..17	D			
Country of receiver, coded	3207	C an..3	D			DE = GERMANY ISO 3166 two alpha code
Segment notes:						
Segment status: Mandatory						
This NAD segment always identifies the first delivery place.						
The delivery party is identified by GLN. Party name and address in clear text may only be used, if a GLN is not (yet) available.						
If the delivery party is not known (e.g. pick up by third party), the GLN of the buyer is indicated in DE 3039.						
Example: NAD+DP+4089876511111::9++Name 1:Name 2:Name 3+Maarweg 104+Köln++50825+DE' The delivery party is identified by GLN 4089876511111.						

6. Segments Layout

Heading section

Segment number: 16

SG4	- M	99 - NAD-SG5				
NAD	- M	1 - Name and address				
Description:						
To specify the name/address and their related function, either by C082 only and/or unstructured by C058 or structured by C080 thru 3207.						
Business Term	DE	EDIFACT	EAN	*	GER	Description
	3035	M an..3	M			UC = Ultimate consignee
	C082	C	A			
Ultimate consignee identification	3039	M an..35	M			Global Location Number (GLN) - Format n13
	1131	C an..17	N			
	3055	C an..3	R	*		9 = GS1
	C058	C	N		N	
	3124	M an..35	M			
	C080	C	D			
Name 1 of the ultimate consignee	3036	M an..35	M			
Name 2 of the ultimate consignee	3036	C an..35	O		D	
Name 3 of the ultimate consignee	3036	C an..35	O		D	
	C059	C	D			
Street of ultimate consignee	3042	M an..35	M			
Place of ultimate consignee	3164	C an..35	D			
	C819	C	N			
	3229	C an..9	O			
Postcode of ultimate consignee	3251	C an..17	D			
	3207	C an..3	D			DE = GERMANY ISO 3166 two alpha code
Segment notes:						
Segment status: Conditional						
This NAD segment identifies the secondary delivery place.						
If the warehouse is the delivery party (DE 3035 = DP) and the consignment is addressed to a specific outlet, that outlet is identified as ultimate consignee.						
The ultimate consignee is identified by GLN. Party name and address in clear text may only be used, if a GLN is not (yet) available.						
Example: NAD+UC+4089876986411::9++Name 1:Name 2:Name 3+Maarweg 104+Köln++50825+DE' The ultimate consignee is identified by GLN 4089876986411.						

6. Segments Layout

Heading section

Segment number: 17

SG4	- M	99 - NAD-SG5-SG6				
NAD	- M	1 - Name and address				
Description:						
To specify the name/address and their related function, either by C082 only and/or unstructured by C058 or structured by C080 thru 3207.						
Business Term	DE	EDIFACT	EAN	*	GER	Description
	3035	M an..3	M			BY = Buyer
	C082	C	A			
Identification of buyer/ invoicee	3039	M an..35	M			Global Location Number (GLN) - Format n13
	1131	C an..17	N			
	3055	C an..3	R	*		9 = GS1
	C058	C	O			This composite may only be used to fulfill the requirements of directive 2015/58/EG, article 4. If applicable the message sender gets the possibility to give the relevant statements at this place. If C058 is not sufficient, more declaration can be given in following RFF+GN segment.
	3124	M an..35	M			
	3124	C an..35	O			
	3124	C an..35	O			
	3124	C an..35	O			
	3124	C an..35	O			
Segment notes:						
Segment status: Mandatory						
The buyer is identified by GLN.						
Example: NAD+BY+4071615111110::9' The buyer is identified by GLN 4071615111110.						

6. Segments Layout

Heading section

Segment number: 18

SG4	- M	99 - NAD-SG5-SG6				
SG5	- C	10 - RFF				
RFF	- M	1 - Reference				
Description: To specify a reference.						
Business Term	DE	EDIFACT	EAN	*	GER	Description
	C506	M	M			
	1153	M an..3	M			GN = Government reference number
Statements on business letters	1154	C an..70	R			
Segment notes:						
Segment status: Depending						
This RFF segment may only be used if the preceding NAD has not enough space to fulfill the requirements of directive 2015/58/EG, article 4.						
Example: RFF+GN:HRB-471111' German statements on business letters: HRB-471111						

6. Segments Layout

Heading section

Segment number: 19

SG4	- M	99 - NAD-SG5-SG6				
SG5	- C	10 - RFF				
RFF	- M	1 - Reference				
Description: To specify a reference.						
Business Term	DE	EDIFACT	EAN	*	GER	Description
	C506	M	M			
	1153	M an..3	M	*		YC1 = Additional party identification (GS1 Code)
Buyers additional identification	1154	C an..70	R			
Segment notes:						
Segment status: Conditional						
The RFF segment following the NAD segment can specify an agreed additional identification.						
If no functional or organizational differences are necessary within one company only the GLN is used for communication purposes, if applicable the receiver links within the in-house system. Additional identifications should be agreed only in those cases when different functional entities need to be distinguished at one location.						
Example: RFF+YC1:0815' The additional identification is 0815.						

6. Segments Layout

Heading section

Segment number: 20

SG4	- M	99 - NAD-SG5-SG6				
SG6	- C	10 - CTA				
CTA	- M	1 - Contact information				
Description: To identify a person or a department to whom communication should be directed.						
Business Term	DE	EDIFACT	EAN	*	GER	Description
	3139	C an..3	R			PD = Purchasing contact
	C056	C	C			
Purchasing contact department	3413	C an..17	O			
Contact person	3412	C an..35	O			
Segment notes: Segment status: Conditional This segment is used to identify the department and/or person within the party specified in the NAD. Example: CTA+PD+AG-TI406:Herr Schmidt' Purchasing contact person is Mr. Schmidt						

6. Segments Layout

Heading section

Segment number: 21

SG4	- M	99 - NAD-SG5				
NAD	- M	1 - Name and address				
Description: To specify the name/address and their related function, either by C082 only and/or unstructured by C058 or structured by C080 thru 3207.						
Business Term	DE	EDIFACT	EAN	*	GER	Description
	3035	M an..3	M			SU = Supplier
	C082	C	A			
Supplier identification	3039	M an..35	M			Global Location Number (GLN) - Format n13
	1131	C an..17	N			
	3055	C an..3	R	*		9 = GS1
Segment notes: Segment status: Mandatory The supplier is identified by GLN. Example: NAD+SU+4389876511113::9' The supplier is identified by GLN 4389876511113.						

6. Segments Layout

Heading section

Segment number: 22

SG4	- M	99 - NAD-SG5				
SG5	- C	10 - RFF				
RFF	- M	1 - Reference				
Description: To specify a reference.						
Business Term	DE	EDIFACT	EAN	*	GER	Description
	C506	M	M			
	1153	M an..3	M	*		YC1 = Additional party identification (GS1 Code)
Suppliers additional identification	1154	C an..70	R			
Segment notes:						
Segment status: Conditional						
The RFF segment following the NAD segment can specify an agreed additional identification.						
If no functional or organizational differences are necessary within one company only the GLN is used for communication purposes, if applicable the receiver links within the in-house system. Additional identifications should be agreed only in those cases when different functional entities need to be distinguished at one location.						
Example: RFF+YC1:0817' The additional identification is 0817.						

6. Segments Layout

Heading section

Segment number: 23

SG4	- M	99 - NAD				
NAD	- M	1 - Name and address				
Description:						
To specify the name/address and their related function, either by C082 only and/or unstructured by C058 or structured by C080 thru 3207.						
Business Term	DE	EDIFACT	EAN	*	GER	Description
	3035	M an..3	M			SF = Ship from
	C082	C	A			
Identification of ship from place	3039	M an..35	M			Global Location Number (GLN) - Format n13
	1131	C an..17	N			
	3055	C an..3	R	*		9 = GS1
Segment notes:						
Segment status: Conditional						
Identification of the ship fro place by Global Location Number (GLN).						
Example: NAD+SF+4012345000009::9' The ship from place is identified by Global Location Number (GLN) 4012345000009.						

6. Segments Layout

Detail section consignment

Segment number: 24

SG16	- C	9999 - CPS-SG17				
CPS	- M	1 - Consignment packing sequence				
Description:						
To identify the sequence in which physical packing is presented in the consignment, and optionally to identify the hierarchical relationship between packing layers.						
Business Term	DE	EDIFACT	EAN	*	GER	Description
Sequence number of packages within the consignment	7164	M an..35	M			Sequential numbering recommended.
Segment notes:						
Segment status: Mandatory						
The CPS segment starts the detail section of the message. The segments following the first occurrence of CPS (CPS+1) and previous to the following CPS (CPS+2+1) can provide physical dimensions for the entire consignment.						
This segment is used to identify the sequence in which packing of the consignment occurs, i.e. DE 7164 is increased by 1.						
Example: CPS+1' Sequential number 1.						

6. Segments Layout

Detail section consignment

Segment number: 25

SG16	- C	9999 - CPS-SG17				
SG17	- C	9999 - PAC				
PAC	- M	1 - Package				
Description: To describe the number and type of packages/physical units.						
Business Term	DE	EDIFACT	EAN	*	GER	Description
Number of packages within the consignment	7224	C n..8	D			
	C531	C	O			
	7075	C an..3	N			
	7233	C an..3	O			
	7073	C an..3	O			
	C202	C	O			
Type of packages	7065	C an..17	A			201 = Pallet ISO 1 - 1/1 EURO Pallet (GS1 Code) All codes of data element 7065 can be used.
	1131	C an..17	O			
	3055	C an..3	D			9 = GS1 This data element will only be used if DE 7065 contains a GS1 code.
Segment notes:						
Segment status: Conditional						
This segment group can be used to identify the total number of packages and package types within the consignment.						
Example: PAC+10++201::9' 10 Pallets ISO 1 - 1/1 EURO Pallet						

6. Segments Layout

Detail section despatch units

Segment number: 26

SG16	- C	9999 - CPS-SG17				
CPS	- M	1 - Consignment packing sequence				
Description:						
To identify the sequence in which physical packing is presented in the consignment, and optionally to identify the hierarchical relationship between packing layers.						
Business Term	DE	EDIFACT	EAN	*	GER	Description
Sequence of the packages (despatch units)	7164	M an..35	M			Sequential numbering is recommended
Hierarchy level	7166	C an..35	A			
Segment notes:						
Segment status: Conditional						
The detail section provides information about despatch units and associated SSCC.						
This segment is used to indicate the sequence of despatch units within the consignment, i.e. DE 7164 is increased by 1.						
Example: CPS+2+1' Sequence number two.						

6. Segments Layout

Detail section despatch units

Segment number: 27

SG16	- C	9999 - CPS-SG17
SG17	- C	9999 - PAC-SG18
PAC	- M	1 - Package

Description:

To describe the number and type of packages/physical units.

Business Term	DE	EDIFACT	EAN	*	GER	Description
Number of packages (despatch units)	7224	C n..8	O			
	C531	C	A			
	7075	C an..3	N			
	7233	C an..3	O			50 = Package barcoded EAN-13 or EAN-8 52 = Package barcoded UCC or EAN-128 78 = Package barcoded and EPC tagged (former 55E) 79 = Package EPC tagged only (former 56E)
	7073	C an..3	O			
	C202	C	O			
	7065	C an..17	A			201 = Pallet ISO 1 - 1/1 EURO Pallet (GS1 Code) The use of any code value of this codes list is allowed.
	1131	C an..17	O			
	3055	C an..3	D			9 = GS1 Code value 9 is only used if DE 7065 contains a GS1 code.

Segment notes:

Segment status: Conditional

This segment can be used to indicate the total number of packages of the consignment within the hierarchy level defined in the CPS segment. The content of each package is described in the following LIN segments.

Example: PAC+1+:52+201::9'
 This consignment line contains 1 EURO pallet.

6. Segments Layout

Detail section despatch units

Segment number: 28

SG16	- C	9999 - CPS-SG17				
SG17	- C	9999 - PAC-SG18				
SG18	- C	999 - PCI-SG20				
PCI	- M	1 - Package identification				
Description: To specify markings and labels on individual packages or physical units.						
Business Term	DE	EDIFACT	EAN	*	GER	Description
Marking with SSCC (despatch units)	4233	C an..3	R			33E = Marked with serial shipping container code (GS1 Code)
Segment notes: Segment status: Conditional The PCI segment details markings with SSCC. Example: PCI+33E' Package identification						

6. Segments Layout

Detail section despatch units

Segment number: 29

SG16	- C	9999 - CPS-SG17				
SG17	- C	9999 - PAC-SG18				
SG18	- C	999 - PCI-SG20				
SG20	- C	999 - GIN				
GIN	- M	1 - Goods identity number				
Description: To give specific identification numbers, either as single numbers or ranges.						
Business Term	DE	EDIFACT	EAN	*	GER	Description
	7405	M an..3	M	*		BJ = Serial shipping container code
	C208	M	M			
Serial Shipping Container Code (SSCC)	7402	M an..35	M			
Segment notes: Segment status: Conditional This segment provides the SSCC to uniquely identify individual packages. Example: GIN+BJ+340123450000000014' The SSCC is 340123450000000014						

6. Segments Layout

Detail section despatch units / articles

Segment number: 30

SG16	- C	9999 - CPS-SG17-SG22				
CPS	- M	1 - Consignment packing sequence				
Description: To identify the sequence in which physical packing is presented in the consignment, and optionally to identify the hierarchical relationship between packing layers.						
Business Term	DE	EDIFACT	EAN	*	GER	Description
Sequence of the packages (despatch units / articles)	7164	M an..35	M			Sequential numbering is recommended
Hierarchy level (despatch units / articles)	7166	C an..35	A			
Segment notes: Segment status: Conditional The line level details package and SSCC information that have not master data character. This segment is used to provide the sequence of packages within the consignment, i.e. each package starts a new line level by use of the CPS segment and DE 7164 is increased by 1. Example: CPS+3+2' Sequence number 3.						

6. Segments Layout

Detail section despatch units / articles

Segment number: 31

SG16	- C	9999 - CPS-SG17-SG22
SG17	- C	9999 - PAC-SG18
PAC	- M	1 - Package

Description:

To describe the number and type of packages/physical units.

Business Term	DE	EDIFACT	EAN	*	GER	Description
Number of packages (despatch units / articles)	7224	C n..8	D			
	C531	C	O			
	7075	C an..3	N			
	7233	C an..3	O			50 = Package barcoded EAN-13 or EAN-8 52 = Package barcoded UCC or EAN-128 78 = Package barcoded and EPC tagged (former 55E) 79 = Package EPC tagged only (former 56E)
	7073	C an..3	O			
	C202	C	O			
	7065	C an..17	A			201 = Pallet ISO 1 - 1/1 EURO Pallet (GS1 Code) All codes of data element 7065 can be used.
	1131	C an..17	O			
	3055	C an..3	D			9 = GS1 This data element will only be used if DE 7065 contains a GS1 code.

Segment notes:

Segment status: Conditional

This segment can be used to indicate the number of despatch units within the hierarchy level defined in the CPS segment. The content of each despatch unit is described in the following LIN segments.

Example: PAC+1+:52+201::9'
 This consignment line contains 1 EURO pallet.

6. Segments Layout

Detail section articles

Segment number: 32

SG16	- C	9999 - CPS-SG17-SG22				
SG22	- C	9999 - LIN-PIA-QTY-QVR-SG28-SG29				
LIN	- M	1 - Line item				
Description: To identify a line item and configuration.						
Business Term	DE	EDIFACT	EAN	*	GER	Description
Line item number	1082	C an..6	R			Application generated number of the item lines within the message
	1229	C an..3	N			
	C212	C	D			
GTIN Article identification	7140	C an..35	R			GTIN, Format n..14
	7143	C an..3	R	*		SRV = GS1 Global Trade Item Number
Segment notes: Segment status: Conditional The LIN segment is used to identify the products contained in the consignment. Example: LIN+1++4056786542381:SRV' The despatched product is identified by GTIN 4056786542381.						

6. Segments Layout

Detail section articles

Segment number: 33

SG16	- C	9999 - CPS-SG17-SG22				
SG22	- C	9999 - LIN-PIA-QTY-QVR-SG28-SG29				
PIA	- C	10 - Additional product id				
Description: To specify additional or substitutional item identification codes.						
Business Term	DE	EDIFACT	EAN	*	GER	Description
	4347	M an..3	M	*		1 = Additional identification
	C212	M	M			
Suppliers article number (secondary indent.)	7140	C an..35	R			
	7143	C an..3	R			SA = Supplier's article number
	1131	C an..17	N			
	3055	C an..3	R			91 = Assigned by supplier or supplier's agent
Segment notes: Segment status: Conditional This segment is used to advise the suppliers article number additionally to GTIN. Example: PIA+1+7788:SA::91' The product with GTIN 4056786542381 is additionally identified with suppliers article number 7788.						

6. Segments Layout

Detail section articles

Segment number: 34

SG16	- C	9999 - CPS-SG17-SG22				
SG22	- C	9999 - LIN-PIA-QTY-QVR-SG28-SG29				
PIA	- C	10 - Additional product id				
Description: To specify additional or substitutional item identification codes.						
Business Term	DE	EDIFACT	EAN	*	GER	Description
	4347	M an..3	M	*		1 = Additional identification
	C212	M	M			
Buyers article number	7140	C an..35	R			
	7143	C an..3	R			IN = Buyer's item number
	1131	C an..17	N			
	3055	C an..3	R			92 = Assigned by buyer or buyer's agent
Segment notes: Segment status: Conditional This segment is used to advise the buyers article number additionally to GTIN. Example: PIA+1+1234:IN::92' The product with GTIN 4056786542381 is additionally identified with buyers article number 1234.						

6. Segments Layout

Detail section articles

Segment number: 35

SG16	- C	9999 - CPS-SG17-SG22				
SG22	- C	9999 - LIN-PIA-QTY-QVR-SG28-SG29				
PIA	- C	10 - Additional product id				
Description: To specify additional or substitutional item identification codes.						
Business Term	DE	EDIFACT	EAN	*	GER	Description
	4347	M an..3	M	*		1 = Additional identification
	C212	M	M			
Batch number	7140	C an..35	R			
	7143	C an..3	R			NB = Batch number
	1131	C an..17	N			
	3055	C an..3	D			91 = Assigned by supplier or supplier's agent
Segment notes: Segment status: Conditional This segment can be used to indicate the batch number. Example: PIA+1+CH-X4711:NB::91' The batch number of the product is CH-X4711.						

6. Segments Layout

Detail section articles

Segment number: 36

SG16	- C	9999 - CPS-SG17-SG22				
SG22	- C	9999 - LIN-PIA-QTY-QVR-SG28-SG29				
PIA	- C	10 - Additional product id				
Description: To specify additional or substitutional item identification codes.						
Business Term	DE	EDIFACT	EAN	*	GER	Description
	4347	M an..3	M	*		1 = Additional identification
	C212	M	M			
Serial number	7140	C an..35	R			
	7143	C an..3	R			SN = Serial number
	1131	C an..17	N			
	3055	C an..3	D			91 = Assigned by supplier or supplier's agent 92 = Assigned by buyer or buyer's agent
Segment notes: Segment status: Conditional This segment can be used to indicate the serial number of a product. Example: PIA+1+SE-X4711:SN::91' The serial number of the product is SE-X4711.						

6. Segments Layout

Detail section articles

Segment number: 37

SG16	- C	9999 - CPS-SG17-SG22				
SG22	- C	9999 - LIN-PIA-QTY-QVR-SG28-SG29				
QTY	- C	10 - Quantity				
Description: To specify a pertinent quantity.						
Business Term	DE	EDIFACT	EAN	*	GER	Description
	C186	M	M			
	6063	M an..3	M	*		21 = Ordered quantity
Ordered quantity	6060	M an..35	M			Use only numeric values.
	6411	C an..3	D			KGM = kilogram LTR = liter All code values of DE 6411 codes list can be used.
Segment notes:						
Segment status: Conditional						
This segment is used to indicate quantity information for the ordered product identified in LIN.						
DE 6411 is only used, if the article is a variable quantity article. Default value is piece.						
Example: QTY+21:9' The ordered quantity is 9 pieces.						

6. Segments Layout

Detail section articles

Segment number: 38

SG16	- C	9999 - CPS-SG17-SG22				
SG22	- C	9999 - LIN-PIA-QTY-QVR-SG28-SG29				
QTY	- C	10 - Quantity				
Description: To specify a pertinent quantity.						
Business Term	DE	EDIFACT	EAN	*	GER	Description
	C186	M	M			
	6063	M an..3	M	*		46 = Delivered quantity
Delivered quantity	6060	M an..35	M			Use only numeric values.
	6411	C an..3	D			KGM = kilogram LTR = liter All code values of DE 6411 codes list can be used.
Segment notes:						
Segment status: Conditional						
This segment is used to indicate quantity information for the delivered product identified in LIN.						
DE 6411 is only used, if the article is a variable quantity article. Default value is piece.						
Example: QTY+46:9' The delivered quantity is 9 pieces.						

6. Segments Layout

Detail section articles

Segment number: 39

SG16	- C	9999 - CPS-SG17-SG22				
SG22	- C	9999 - LIN-PIA-QTY-QVR-SG28-SG29				
QTY	- C	10 - Quantity				
Description: To specify a pertinent quantity.						
Business Term	DE	EDIFACT	EAN	*	GER	Description
	C186	M	M			
	6063	M an..3	M	*		12 = Despatch quantity
Despatched quantity	6060	M an..35	M			Use only numeric values.
	6411	C an..3	D			KGM = kilogram LTR = liter The use of any code value of this codes list is allowed.
Segment notes:						
Segment status: Depending						
For products with variable quantities the quantity is indicated in the measurement unit that is used for invoicing.						
DE 6411 is only used, if the article is a variable quantity article.						
Example: QTY+12:5:KGM' The quantity is 5 kgm.						

6. Segments Layout

Detail section articles

Segment number: 40

SG16	- C	9999 - CPS-SG17-SG22				
SG22	- C	9999 - LIN-PIA-QTY-QVR-SG28-SG29				
QTY	- C	10 - Quantity				
Description: To specify a pertinent quantity.						
Business Term	DE	EDIFACT	EAN	*	GER	Description
	C186	M	M			
	6063	M an..3	M	*		194 = Received and accepted
Quantity received and accepted	6060	M an..35	M			Use only numeric values.
	6411	C an..3	D			KGM = kilogram LTR = liter All code values of DE 6411 codes list can be used.
Segment notes:						
Segment status: Mandatory						
This segment is used to indicate quantity information for the delivered/accepted product identified in LIN. The quantity is indicated in the measurement unit that is used for invoicing.						
DE 6411 is only used, if the article is a variable quantity article. Default value is piece.						
Example: QTY+194:5' The received/accepted quantity is 5 pieces.						

6. Segments Layout

Detail section

Segment number: 41

SG16	- C	9999 - CPS-SG17-SG22
SG22	- C	9999 - LIN-PIA-QTY-QVR-SG28-SG29
QTY	- C	10 - Quantity

Description:

To specify a pertinent quantity.

Business Term	DE	EDIFACT	EAN	*	GER	Description
	C186	M	M			
	6063	Man..3	M			48 = Received quantity
Goods received quantity	6060	Man..35	M			Use only numeric values.
	6411	C an..3	D			LTR = liter KGM = kilogram The use of any relevant code value of this codes list is allowed. This DE is only used if the current line item is a variable quantity product.

Segment notes:

Segment status: Conditional

CRP Segment status: Conditional

Definition Goods received quantity: Goods received by delivery of the supplier, i.e. goods received quantity accounts increasing the inventory, identical with the ordered quantity.

DE 6411 is only used, if the article is a variable quantity article. Default value is piece.

Example: QTY+48:8:KGM'
 The goods received quantity is 8 kg.

6. Segments Layout

Detail section articles

Segment number: 42

SG16	- C	9999 - CPS-SG17-SG22				
SG22	- C	9999 - LIN-PIA-QTY-QVR-SG28-SG29				
QTY	- C	10 - Quantity				
Description: To specify a pertinent quantity.						
Business Term	DE	EDIFACT	EAN	*	GER	Description
	C186	M	M			
	6063	M an..3	M	*		192 = Free goods quantity
Free goods quantity	6060	M an..35	M			Use only numeric values.
	6411	C an..3	D			KGM = kilogram LTR = litre The use of any code value of this codes list is allowed.

Segment notes:

Segment status: Conditional

This segment can be used to provide free goods quantity.

The use of more than one QTY segment needs to be mutually agreed. If the same line contains a "quantity delivered" and "free goods quantity", than "free goods quantity" is contained in "quantity delivered". If one line "free goods quantity" and one line "quantity delivered" is transmitted by use of the same GTIN, the total quantity is calculated by addition of both QTY segments.

DE 6411 is only used, if the article is a variable quantity article. Default value is piece.

Example: QTY+192:1'
1 piece without invoicing.

6. Segments Layout

Detail section articles

Segment number: 43

SG16	- C	9999 - CPS-SG17-SG22
SG22	- C	9999 - LIN-PIA-QTY-QVR-SG28-SG29
QVR	- C	10 - Quantity variances

Description:

To specify item details relating to quantity variances.

Business Term	DE	EDIFACT	EAN	*	GER	Description
	C279	C	R			
Quantity variance	6064	M n..15	M			
	6063	C an..3	R			83 = Backorder quantity 119 = Short shipped 194 = Received and accepted 195 = Received, not accepted, to be returned 196 = Received, not accepted, to be destroyed 217 = Out of inventory quantity
	4221	C an..3	C			AC = Over-shipped AE = Delivered but not advised AF = Goods delivered damaged AG = Delivered too late BP = Shipment partial - back order to follow CP = Shipment partial – considered complete, no backorder
	C960	C	C			
	4295	C an..3	R			AT = Item not ordered BN = Bar code not readable (GS1 Code) DME = Damaged (GS1 Code) PE = Minimum/maximum product durability date unacceptable (GS1 Code) UM = Unit of measure difference X32 = Receipt temperature outside agreed range (GS1 Code) X33 = Delivered but not advised (GS1 Code) BB = Transport means technical failure BC = Equipment technical failure BE = Goods technical failure BF = Spoilage of goods BG = Grade difference out of tolerance level

Segment notes:

Segment status: Mandatory, if variances apply

This segments indicates the variances between advised an accepted quantity. For negative values (e.g. not accepted damaged goods) the minus sign must be used for variances. It is not possible to indicate a measurement unit. It is identical with the measurement of the accepted quantity (QTY+194).

Note DE 4221: Only the listed qualifiers may be used.

Example: QVR+-4:195+AF+AT'
 4 damaged units have not been accepted.

6. Segments Layout

Summary section

Segment number: 44

CNT - C 1 - Control total						
Description: To provide control total.						
Business Term	DE	EDIFACT	EAN	*	GER	Description
	C270	M	M			
	6069	Man..3	M	*		2 = Number of line items in message
Control information	6066	Mn..18	M			
<p>Segment notes:</p> <p>Segment status: Conditional</p> <p>This segment is used to provide message control information for checking on the message receivers in-house system.</p> <p>Example: CNT+2:1' The message contains one line.</p>						

6. Segments Layout

End of message

Segment number: 45

UNT - M 1 - Message trailer						
Description: To end and check the completeness of a message.						
Business Term	DE	EDIFACT	EAN	*	GER	Description
Total number of segments	0074	M n..6	M			
	0062	M an..14	M			The message reference numbered detailed here should equal the one specified in the UNH segment
<p>Segment notes:</p> <p>Segment status: Mandatory</p> <p>This segment is a mandatory UN/EDIFACT segment. It must always be the last segment in the message.</p> <p>Example: UNT+82+ME000001' The message contains 46 segments</p>						

6. Segments Layout

Segment number: 46

UNZ - M 1 - Interchange trailer						
Description: To end and check the completeness of an interchange.						
Business Term	DE	EDIFACT	EAN	*	GER	Description
End of the transmission file, Number of messages or message groups	0036	M n..6	M			Number of messages or message groups in the transmission file.
Interchange control reference, end	0020	M an..14	M			Interchange control reference, identical with UNB DE 0020.
<p>Segment notes:</p> <p>Segment status: Mandatory</p> <p>The UNZ segment is the last segment of the transmission file.</p> <p>Note DE 0036: If functional groups are not used, this is the number of messages within the interchange.</p> <p>Example: UNZ+1+4711' The transmission file contains 1 message.</p>						

7. Example(s)

RECADV message example

Please note that EANCOM[®] 2002 message examples are intended to describe all possible constellations of segment use. They do not necessarily reflect the actual requirements of a business process.

Please also note that for technical reasons the examples can contain component data element separators, which would normally be represented as data element separators in original messages.

```

UNA:+.?'
UNB+UNOC:3+4012345000009:14+4000004000002:14+101013:1043+4711++++EANCOM+1'
UNH+ME000001+RECADV:D:01B:UN:EAN008'
BGM+632+87441+9'
DTM+137:20151212:102'
DTM+50:20151205:102'
RFF+AAK:4710'
RFF+ON:4711'
RFF+VN:4712'
RFF+DQ:4714'
RFF+IRN:8711'
NAD+BY+4071615111110::9'
NAD+SU+4389876511113::9'
NAD+DP+4089876511111::9++Sturm und Drang GmbH+Maarweg 104+Köln++50825+DE'
NAD+UC+4089876986411::9++Im weissen Rösl+Maarweg 123+Köln++50825+DE'
RFF+YC1:0815'
CTA+PD+AG-TI406:Herr Schmidt'
NAD+SF+4012345000009::9'
CPS+1'
PAC+10++201::9'
CPS+2+1'
PAC+1+:52+201::9'
PCI+33E'
GIN+BJ+340123450000000014'
CPS+3+2'
PAC+1+:52+201::9'
LIN+1++4056786542381:SRV'
PIA+1+7788:SA::91'
PIA+1+1234:IN::92'
PIA+1+CH-X4711:NB::91'
QTY+21:9'
QTY+46:9'
QTY+194:5'
QVR+-4:195+AF+AT'
CNT+2:1'
UNT+34+ME000001'
UNZ+1+4711'
  
```